

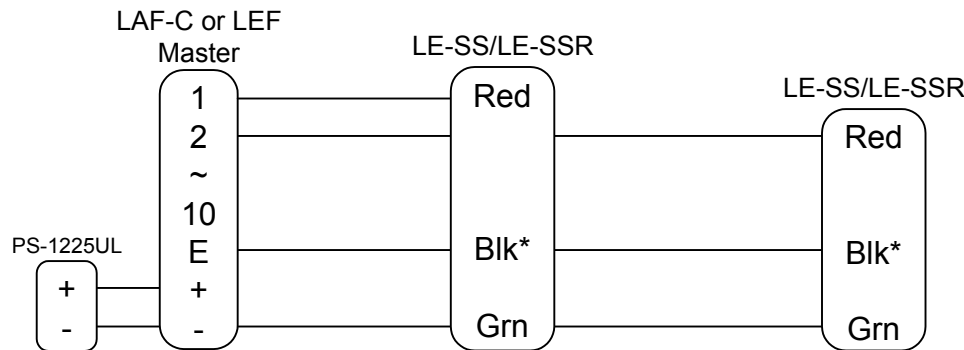
# LE-SS/LE-SSR

## Vandal Resistant Sub Stations for LAF-C, LEF, LEM, AP-M, MP-S Systems

### - INSTRUCTIONS -

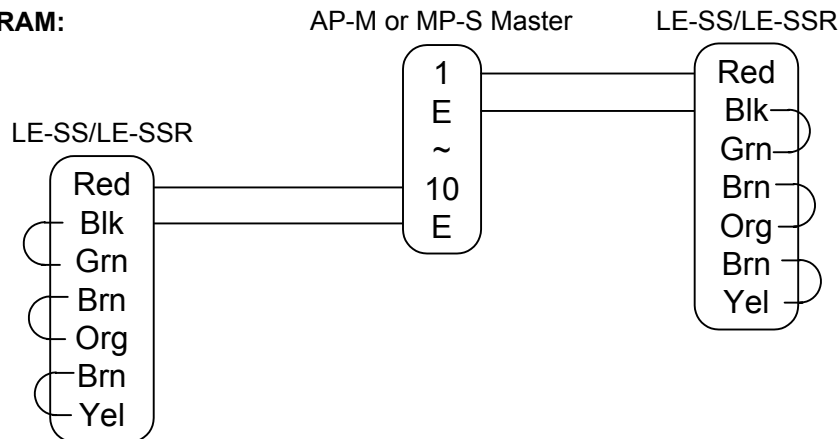
The LE-SS and LE-SSR are a vandal proof and weather resistant sub stations designed for use with the systems listed above. They're constructed with 12 gauge stainless steel, and the LE-SSR features a red mushroom call button. The units either flush mount into a 2-gang box, or surface mount with the SBX-2G. Each unit includes tamper proof screws and a tool for installation.

#### WIRING DIAGRAM:



\* In single master system, 2 conductor homerun can be used with the BLK and GRN wires tied together and "E" and "-" jumpered at the master.

#### WIRING DIAGRAM:



#### Modifying LE-SS/LE-SSR to function with an AP-M/MP-S master:

1. Cut Brown wire on CP038. (Brown wire jumpers J8 to J10.)
2. Tie Brown wire from J8 to Orange wire on J9.
3. Tie Brown wire from J10 to Yellow wire on J11.

Tie Blk and Grn wires together for all installations with the MP-S and AP-M systems.

#### SPECIFICATIONS:

|                         |  |
|-------------------------|--|
| Power Source:           | Supplied by master station   |
| Speaker:                | 20 ohms, 2.5" diameter, water proof and puncture resistant, 2.4 oz. magnet   |
| Call Button:            | SPST call button. Call tone rings at master as long as button is held down. LED will remain lit for approx. 20 seconds (LEF, LEM-3, MP-3S, AP-5/10M only). Call tone only on LEM-1DL, LEM-1, and MP-1S.<br>LE-SS: Limited stop button. LE-SSR: Limited stop, red mushroom button |
| Communication:          | Hands free at sub. Master is push-to-talk, release-to-listen.  |
| Faceplate:              | 12 gauge stainless steel   |
| Mounting:               | Flush mount into a 2-gang box. Surface mount into SBX-2G, sold separately. Tamper proof screws included (6x32 for use with flush gang box) with T-10 TORX bit.   |
| Terminations:           | Color-coded prewired pigtails  |
| Wiring:                 | 2 conductors in a 1-master LEF, MP-S, or AP-M system. 3 conductors in a multi-master LEF system. Shielded cable is recommended. Use Aiphone #822202 for LEM or MP-S. Use #822202 or #822203 for LEF. Use #832202 for AP-M systems.   |
| Wiring Distance:        | See system that unit is being used with for distance specifications.   |
| Dimensions (H x W x D): | LE-SS/LE-SSR alone: 4-11/16" x 4-11/16" x 2"<br>With SBX-2G: 4-3/4" x 4-7/8" x 3-5/8" (Top) 2-3/8" (Bottom)  |