

V10Z1618AMSP

10X 16mm - 160mm F1.8
for 1 type Cameras, Motorized Zoom
C-Mount

with Video Auto Iris and Preset

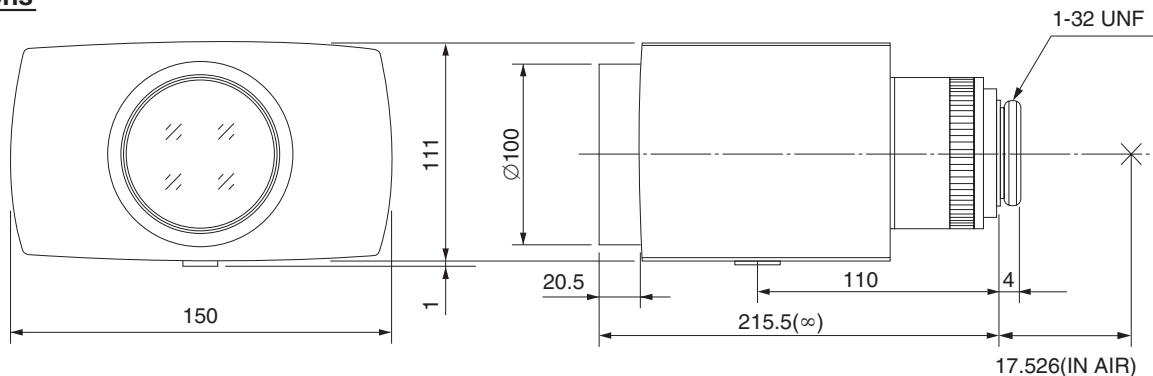
Model No.	V10Z1618AMSP		Effective	Front	Ø88.0mm			
Focal Length	16mm - 160mm		Lens Aperture	Rear	Ø23.9mm			
Max. Aperture Ratio	1:1.8		Back Focal Length		28.5mm			
Max. Image Format	12.8mm x 9.6mm(Ø16mm)		Flange Back Length		17.526mm			
Operation Range	Iris	F1.8 - F560C	Mount		C-Mount			
	Focus	1.5m - Inf.	Filter Size		M95 P=1.0mm			
	Zoom	16mm - 160mm	Tripod Screw		1/4 - 20UNC			
Control	Iris	Video Auto Iris	Dimensions		W150mm x H112mm x D215.5mm			
	Focus	Motorized, Preset	Weight		3470g			
	Zoom	Motorized, Preset						
Object Dimension at M.O.D.	16mm	117.1cm x 87.8cm						
	160mm	12.3cm x 9.2cm						
Angle of View	D	1 type	54.9° - 5.7°	2/3 type	38.3° - 3.9°	1/2 type	28.0° - 2.9°	
	H		44.9° - 4.6°				30.7° - 3.1°	23.1° - 2.4°
	V		31.3° - 3.5°				23.1° - 2.4°	16.8° - 1.7°
		Iris	Focus		Zoom			
Supply Voltage	DC8.5V - DC16V		DC8V		DC8V			
Current	50mA or less		90mA or less		80mA or less			
Response Time	Approx. 3.5 sec.		Approx. 6 sec.		Approx. 4 sec.			
Preset Potentiometer	—		5KΩVR		5KΩVR			
Light Weighting Method	Adjustable between Average - Peak (to be Set at Average at Factory)							
Remote Control	—							
Input Signal	Video Signal (V. or V.S.)							
Iris Accuracy	±15% at Video Signal Level							
Sensitivity Adjustment	0.5V(p-p) - 1.0V(p-p) (Video Signal)							
Input Impedance	High Impedance							
Operating Temperature	-10°C - +50°C							

1 type

C

M.O.D. : Minimum Object Distance

Dimensions



Wiring Diagram

PRESET POTENTIOMETER

