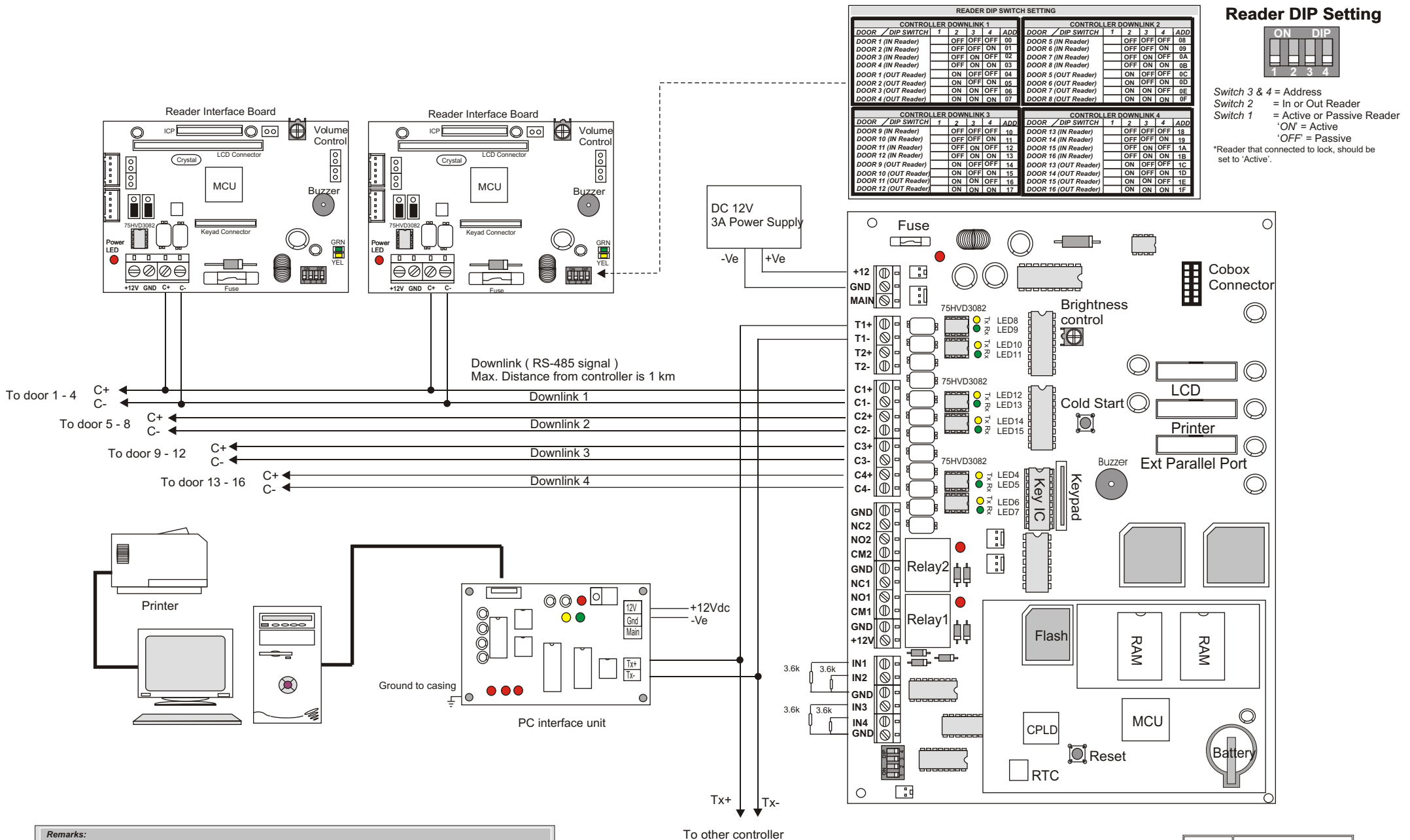


ES-Series System Configuration



READER DIP SWITCH SETTING

CONTROLLER DOWNLINK 1					CONTROLLER DOWNLINK 2						
DOOR / DIP SWITCH	1	2	3	4	ADD	DOOR / DIP SWITCH	1	2	3	4	ADD
DOOR 1 (IN Reader)	OFF	OFF	OFF	OFF	00	DOOR 5 (IN Reader)	OFF	OFF	OFF	OFF	08
DOOR 2 (IN Reader)	OFF	OFF	ON	OFF	01	DOOR 6 (IN Reader)	OFF	OFF	ON	OFF	09
DOOR 3 (IN Reader)	OFF	ON	OFF	OFF	02	DOOR 7 (IN Reader)	OFF	ON	OFF	OFF	0A
DOOR 4 (IN Reader)	OFF	ON	ON	OFF	03	DOOR 8 (IN Reader)	OFF	ON	ON	OFF	0B
DOOR 1 (OUT Reader)	ON	OFF	OFF	OFF	04	DOOR 5 (OUT Reader)	ON	OFF	OFF	OFF	0C
DOOR 2 (OUT Reader)	ON	OFF	ON	OFF	05	DOOR 6 (OUT Reader)	ON	OFF	ON	OFF	0D
DOOR 3 (OUT Reader)	ON	ON	OFF	OFF	06	DOOR 7 (OUT Reader)	ON	ON	OFF	OFF	0E
DOOR 4 (OUT Reader)	ON	ON	ON	OFF	07	DOOR 8 (OUT Reader)	ON	ON	ON	OFF	0F

CONTROLLER DOWNLINK 3					CONTROLLER DOWNLINK 4						
DOOR / DIP SWITCH	1	2	3	4	ADD	DOOR / DIP SWITCH	1	2	3	4	ADD
DOOR 9 (IN Reader)	OFF	OFF	OFF	OFF	10	DOOR 13 (IN Reader)	OFF	OFF	OFF	OFF	18
DOOR 10 (IN Reader)	OFF	OFF	ON	OFF	11	DOOR 14 (IN Reader)	OFF	OFF	ON	OFF	19
DOOR 11 (IN Reader)	OFF	ON	OFF	OFF	12	DOOR 15 (IN Reader)	OFF	ON	OFF	OFF	1A
DOOR 12 (IN Reader)	OFF	ON	ON	OFF	13	DOOR 16 (IN Reader)	OFF	ON	ON	OFF	1B
DOOR 9 (OUT Reader)	ON	OFF	OFF	OFF	14	DOOR 13 (OUT Reader)	ON	OFF	OFF	OFF	1C
DOOR 10 (OUT Reader)	ON	OFF	ON	OFF	15	DOOR 14 (OUT Reader)	ON	OFF	ON	OFF	1D
DOOR 11 (OUT Reader)	ON	ON	OFF	OFF	16	DOOR 15 (OUT Reader)	ON	ON	OFF	OFF	1E
DOOR 12 (OUT Reader)	ON	ON	ON	OFF	17	DOOR 16 (OUT Reader)	ON	ON	ON	OFF	1F

Reader DIP Setting

Switch 3 & 4 = Address
 Switch 2 = In or Out Reader
 Switch 1 = Active or Passive Reader
 'ON' = Active
 'OFF' = Passive
 *Reader that connected to lock, should be set to 'Active'.

Remarks:
 - All communication cable must be compliance Rs485 standard, with proper grounding & connected in multidrop connection.

File: ES CONFIG v1.2
 Date: 200509
 Company: Cass Technology Sdn Bhd

*All specification subject to change without prior notice.