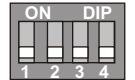


ES Car Park System Configuration

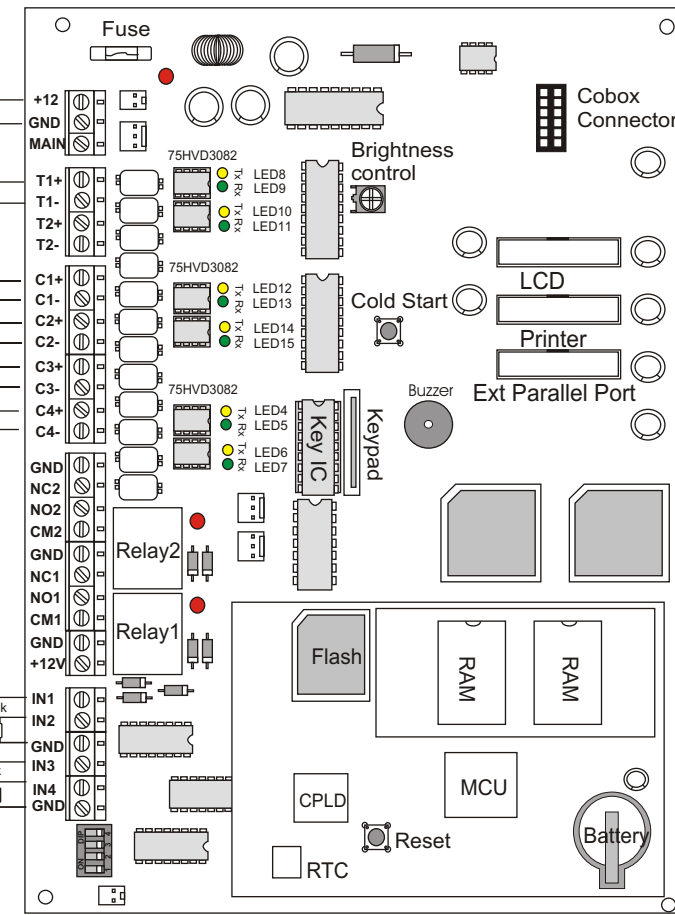
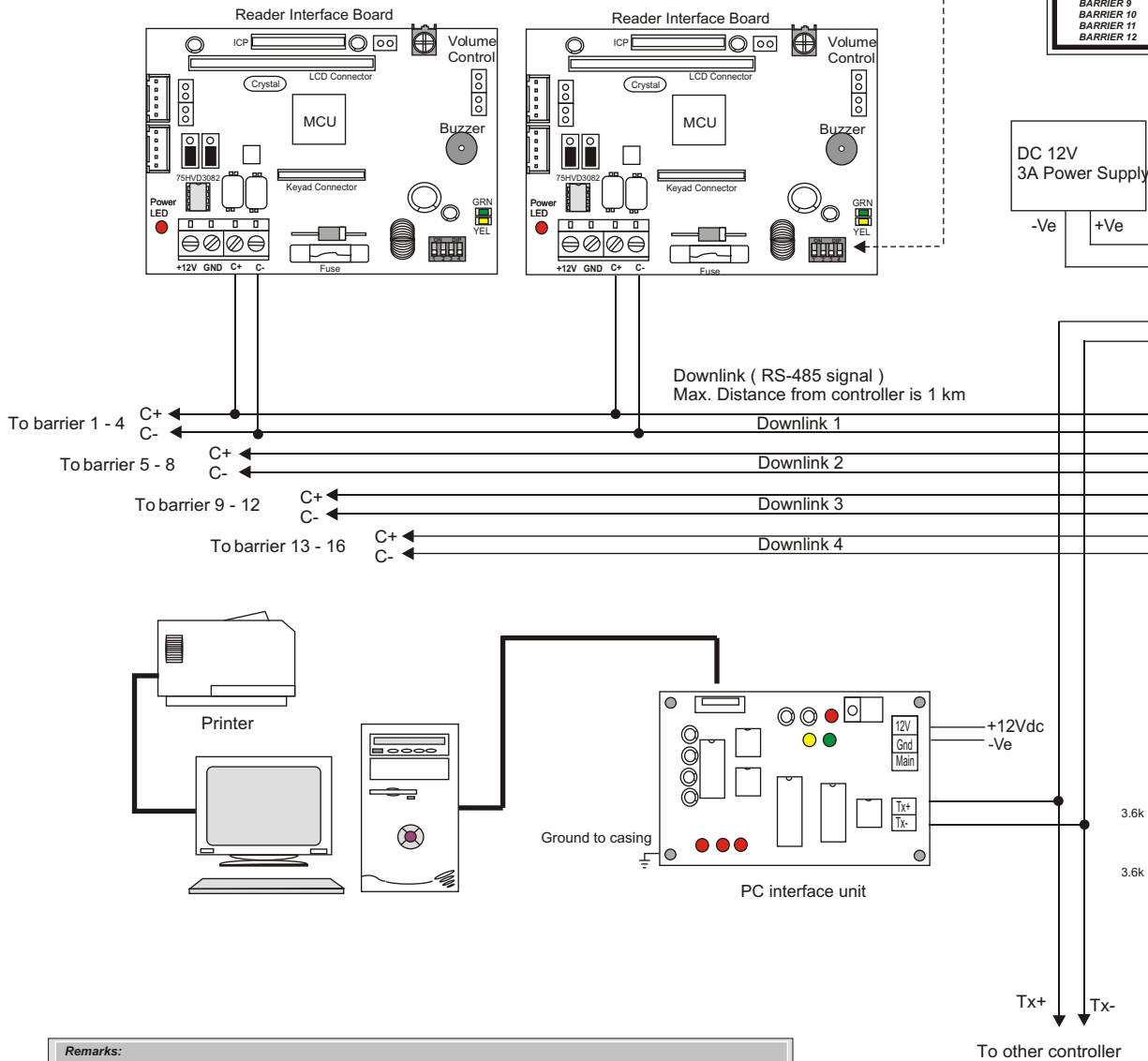
Reader DIP Setting



Switch 3 & 4 = Address
 Switch 2 = In or Out Reader
 Switch 1 = Active or Passive Reader
 'ON' = Active
 'OFF' = Passive

*Reader that connected to lock, should be set to 'Active'.

READER DIP SWITCH SETTING							
CONTROLLER DOWNLINK 1				CONTROLLER DOWNLINK 1			
BARRIER/DIP SWITCH	1	2	3	4	IN	ADD	OUT ADD
BARRIER 1	OFF	OFF	ON	00	04		
BARRIER 2	ON	OFF	ON	01	05		
BARRIER 3	OFF	ON	ON	02	06		
BARRIER 4	ON	ON	ON	03	07		
CONTROLLER DOWNLINK 1				CONTROLLER DOWNLINK 1			
BARRIER/DIP SWITCH	1	2	3	4	IN	ADD	OUT ADD
BARRIER 5	OFF	OFF	ON	08	0C		
BARRIER 6	ON	OFF	ON	09	0D		
BARRIER 7	OFF	ON	ON	0A	0E		
BARRIER 8	ON	ON	ON	0B	0F		
CONTROLLER DOWNLINK 1				CONTROLLER DOWNLINK 1			
BARRIER/DIP SWITCH	1	2	3	4	IN	ADD	OUT ADD
BARRIER 9	ON	OFF	ON	10	14		
BARRIER 10	ON	OFF	ON	11	15		
BARRIER 11	OFF	ON	ON	12	16		
BARRIER 12	ON	ON	ON	13	17		
CONTROLLER DOWNLINK 1				CONTROLLER DOWNLINK 1			
BARRIER/DIP SWITCH	1	2	3	4	IN	ADD	OUT ADD
BARRIER 13	ON	OFF	ON	18	1C		
BARRIER 14	ON	OFF	ON	19	1D		
BARRIER 15	OFF	ON	ON	1A	1E		
BARRIER 16	ON	ON	ON	1B	1F		



Remarks:
 - All communication cable must be compliance Rs485 standard, with proper grounding & connected in multidrop connection.

File: ES CarPark CONFIG v1.2
 Date: 200509
 Company: Cass Technology Sdn Bhd

*All specification subject to change without prior notice.