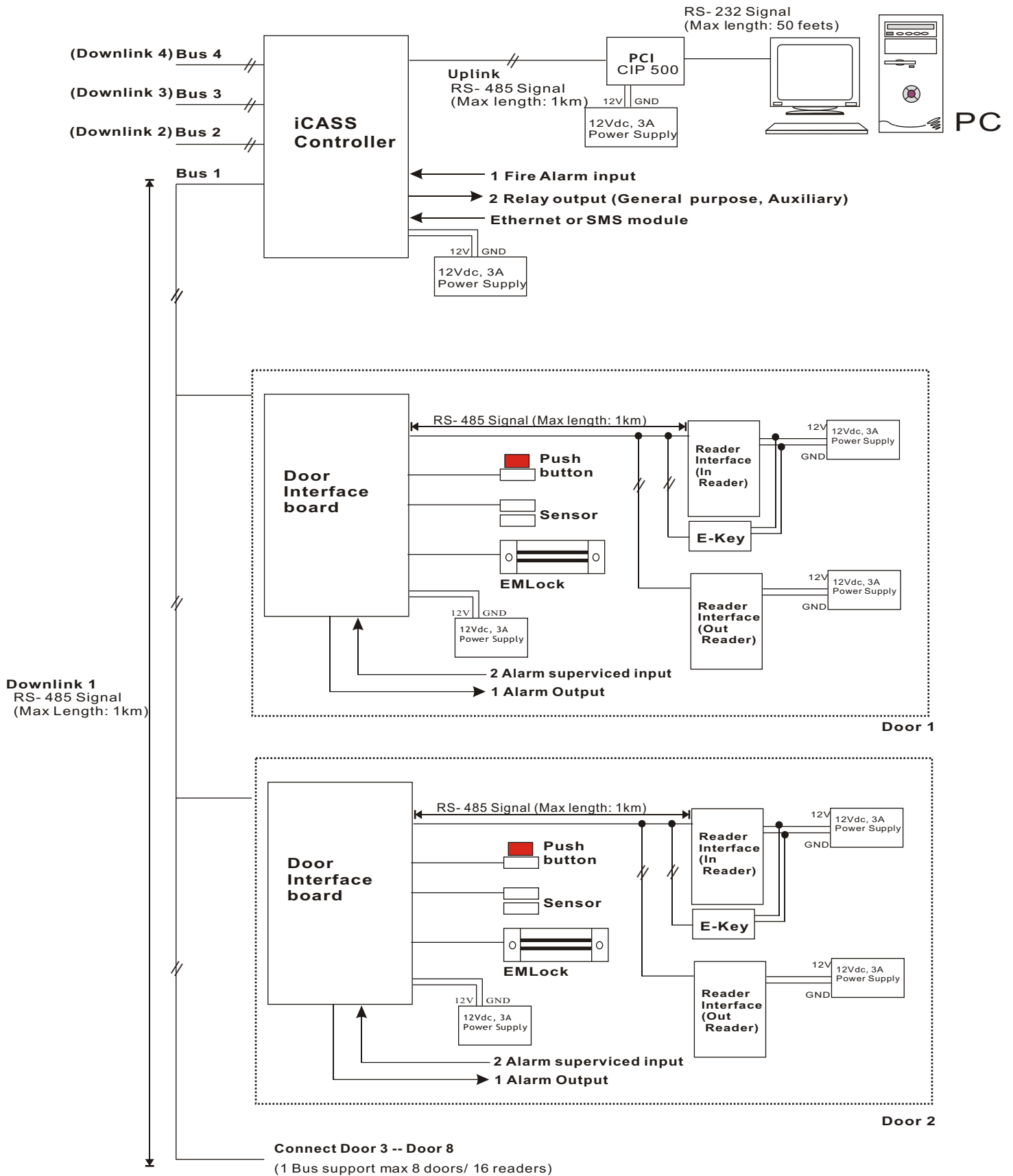


# iCASS System Configuration



**Remarks:**  
 - All communication cable must be compliance to RS485 standard, with proper grounding & connected in multidrop connection.

File	iCASS CONFIG v1.2
Date	200509
Company	Cass Technology Sdn Bhd

\*All specification subject to change without prior notice.