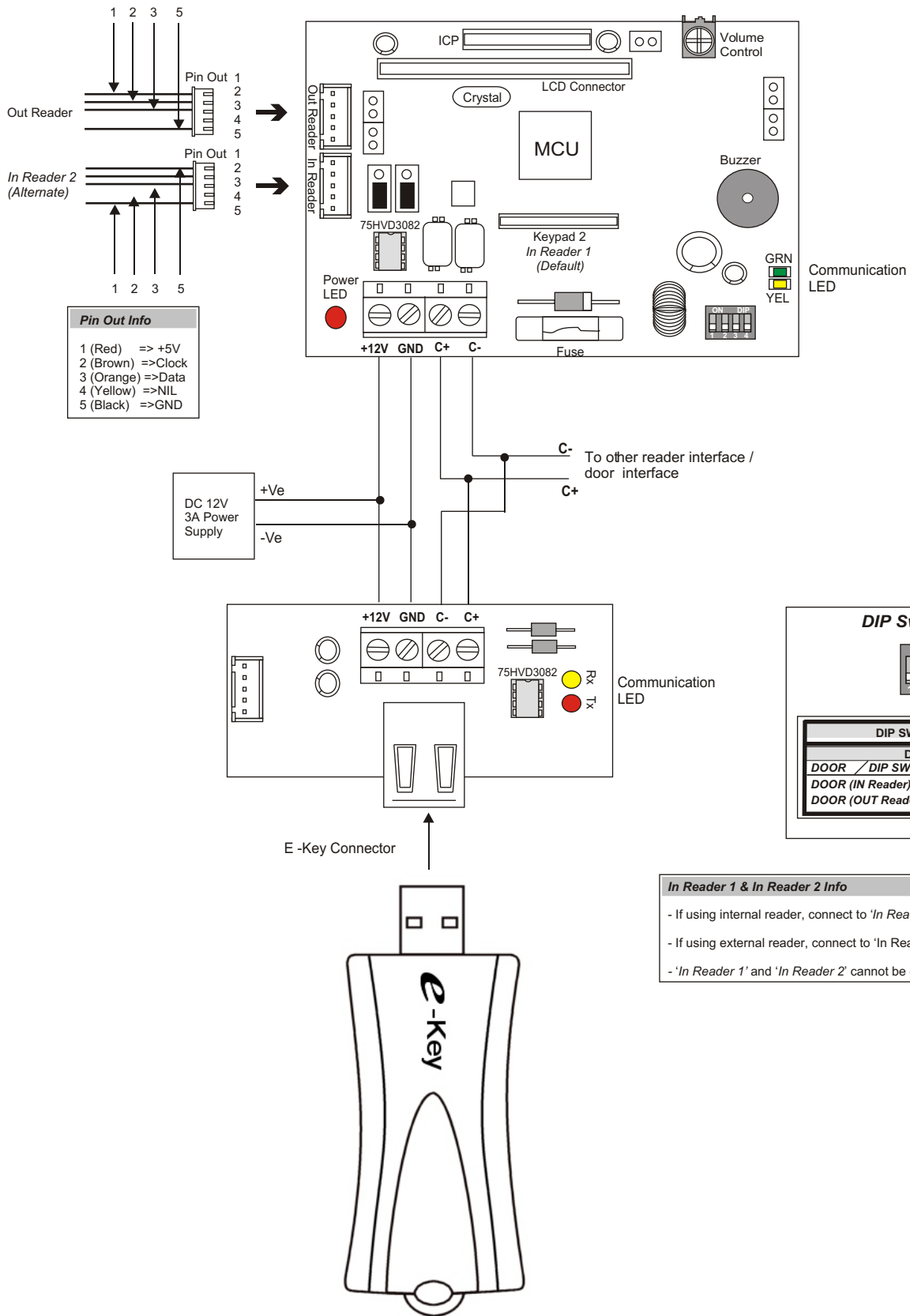


iCASS Reader Interface Configuration



Remarks:
 - All communication cable must be compliance to RS485 standard, with proper grounding & connected in multidrop connection.

File	iCASS RDR INTv1.2
Date	200509
Company	Cass Technology Sdn Bhd

*All specification subject to change without prior notice.