

Patent:  
ZL 2006 2 0122522.X  
Nr. 20 2006 012 052.1  
M308308  
GB 06 1 6099.8  
06 07229 (France)

### ● Features

- **Holding force up to 600 lbs x2**
- **MOV provides spike and surge protection**
- **Aluminum anodized casing**
- **Mounting plate & housing for easy installation**
- **Dual voltage 12 or 24 VDC (selectable)**
- **Anti-Residual magnetism function**

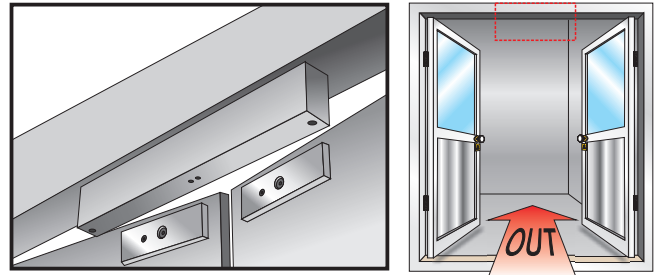
### ● Statement

EM-NH2300 is designed for surface mount on double out-swing doors. Its slide-in mounting plate simplifies the process of installation and firmly secures the magnet. EM-NH2300M comes with magnetic bond sensor indicating locked and unlocked status. EM-NH2300M-TD is equipped with magnetic bond sensor and relock time delay.

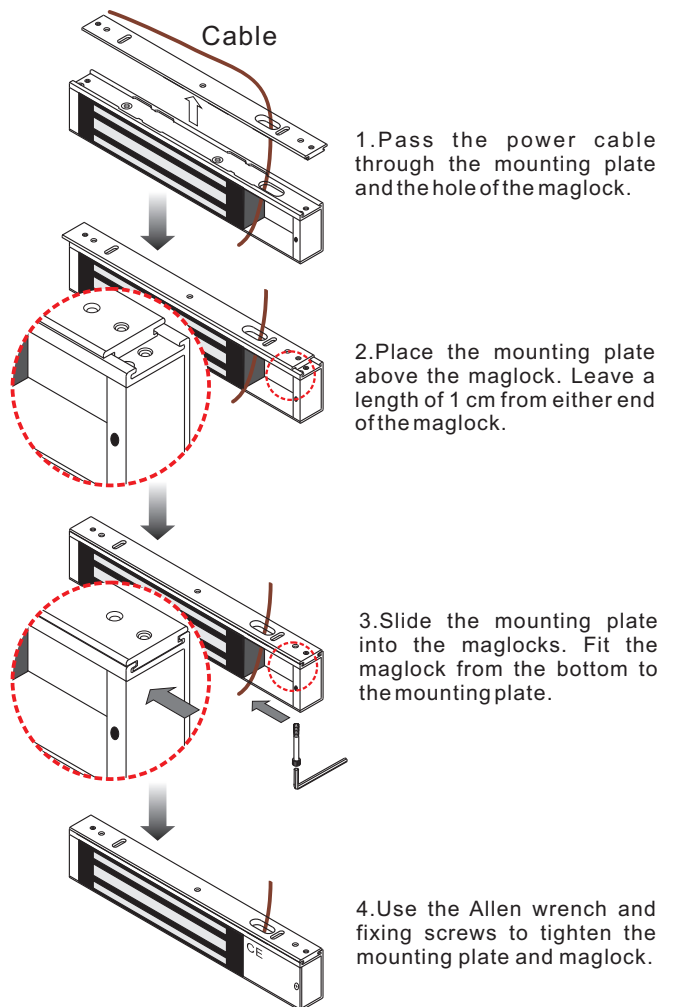
### ● Specification

- Operating Voltage: 12/24 VDC
- Current Draw :500mA/12VDCx2 , 250mA/24VDCx2 (at 20°C)
- Operating Temperature : -10 ~55°C (14~131°F)
- Humidity: 0~95% non-condensing.
- Holding Force: Up to 600 lbs x 2 (272 Kg x 2)
- Dimensions:
  - Magnet:(L) 500, (W) 46, (D) 25 mm
  - Armature Plate:(L) 185, (W) 38, (D) 12 mm
  - Mounting Plate:(L) 500, (W) 25, (D) 5 mm
- Finishes for magnet and armature plate: Zinc Plated
- Epoxy Potting Compound: E87252 (S), UL94V-0
- Weight (Approx.): 4.0 Kg

### ● Regular Installation



### ● Special Mounting Plate design



1.Pass the power cable through the mounting plate and the hole of the maglock.

2.Place the mounting plate above the maglock. Leave a length of 1 cm from either end of the maglock.

3.Slide the mounting plate into the maglocks. Fit the maglock from the bottom to the mounting plate.

4.Use the Allen wrench and fixing screws to tighten the mounting plate and maglock.

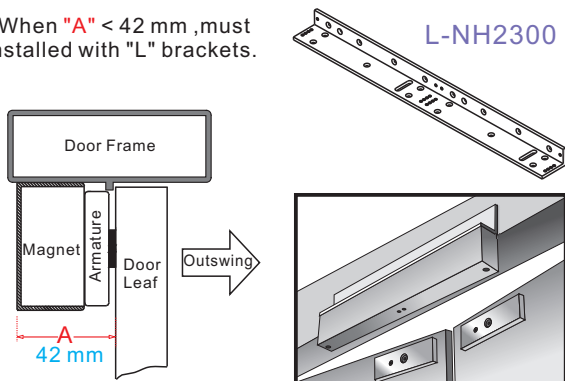
### GIANNI INDUSTRIES, INC.

### Optional Brackets

Bracket installation is according to door swing direction and door frame type, e.g. narrow frame door, frameless glass door, inswing door, etc.

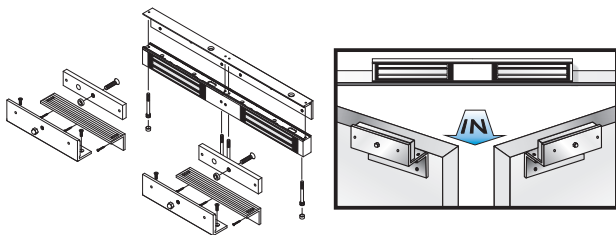
#### L-bracket for narrow door frames

When "A" < 42 mm, must installed with "L" brackets.



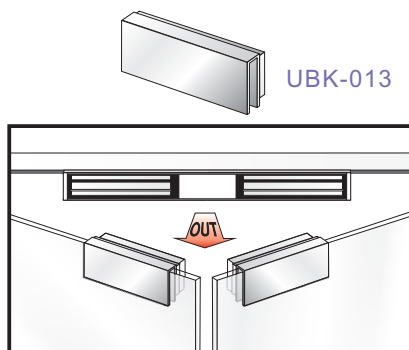
#### LZ-bracket for inswing doors

LZ-NH-2300N



#### U-bracket for frameless glass doors

UBK-013 For 10~12mm thickness of glass door



### Operating Features

**xxxxx-M:** Bond sensor output



Bond sensor output  
SPDT rated: 0.5A/125VAC; 1A/24VDC

Indicate the locked & unlocked status with visible LED indicator.

Trigger



Timer Adjust

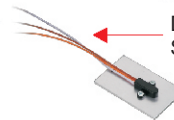


**xxxxx-TD:** Relock time delay

Ensure the automatic lock mode after the door is closed properly and it can be adjusted from 1 to 80 seconds.

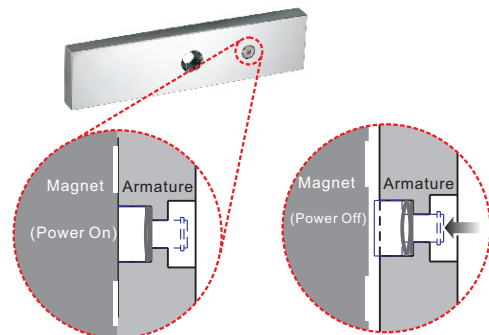
**xxxxx-DS:** Door status

Door status output  
SPDT rated: 0.2A/12VDC



Door Status Sensor indicates the door is in an open or closed status.

### Anti-residual statement



Anti-residual statement

Our electromagnet locks feature Anti-Residual Magnetism (ARM) which ensures the door can be opened without any resistance from left over magnetism imparted to the armature plate

### Warranty

The product is warranted against defects in material and workmanship while used in normal service for a period of 5 years from the date of sale to the original client. The GEM policy is one of continual development and improvement; therefore GEM reserves the right to change specifications without notice.

### GIANNI INDUSTRIES, INC.