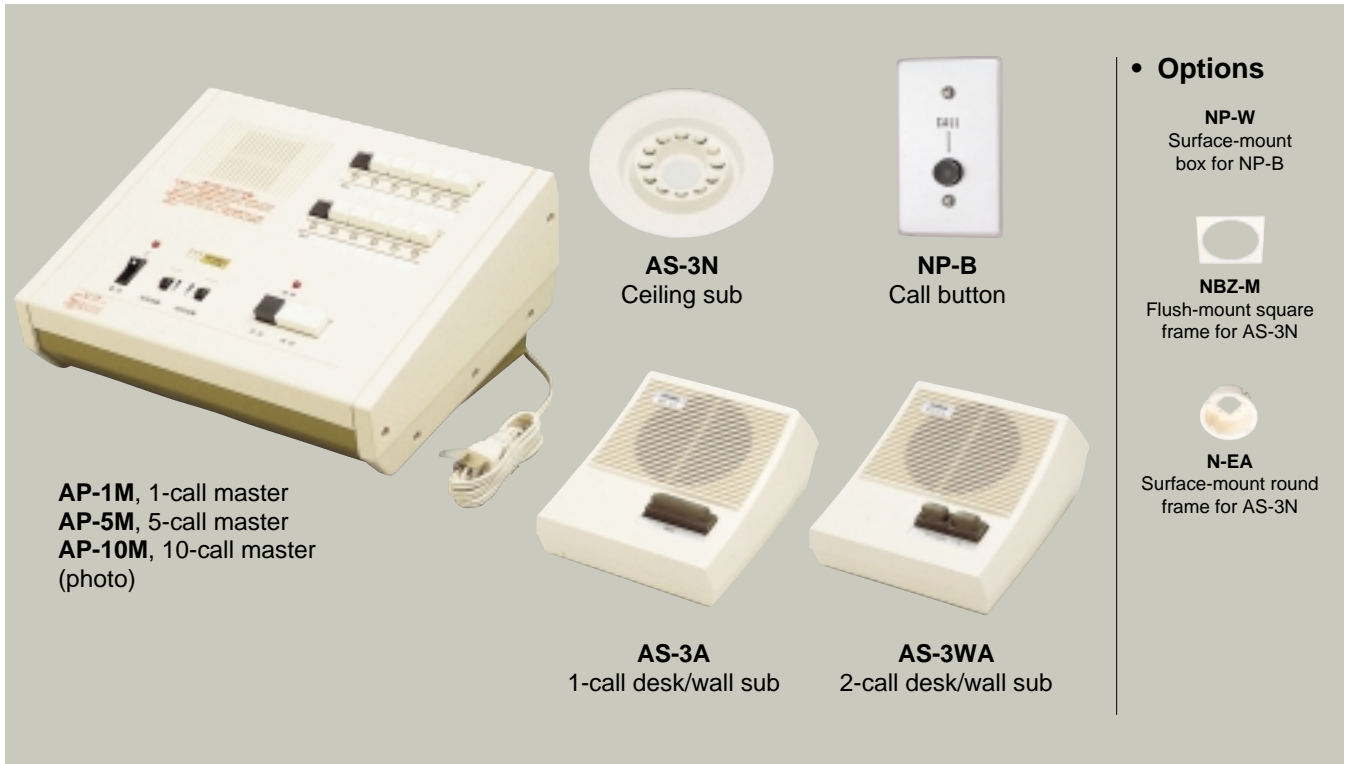


High-Power Intercom

MASTER 2 SUB 10 AP-M

- 10 watt-powered paging & communication system
- Selective all call to 5 subs

- Single or dual-master configuration
- 8Ω or 16Ω horn speaker with talkback



AP-1M, 1-call master
 AP-5M, 5-call master
 AP-10M, 10-call master
 (photo)

Options

NP-W
 Surface-mount box for NP-B

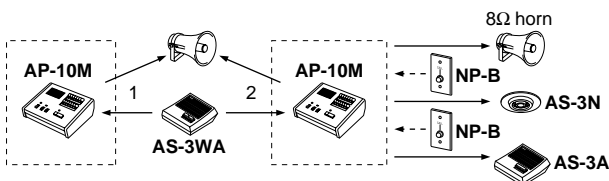


NBZ-M
 Flush-mount square frame for AS-3N



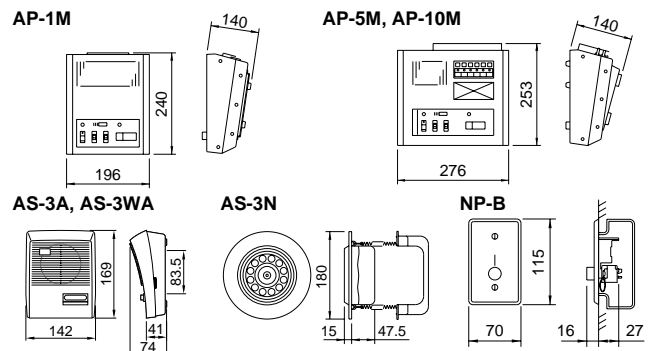
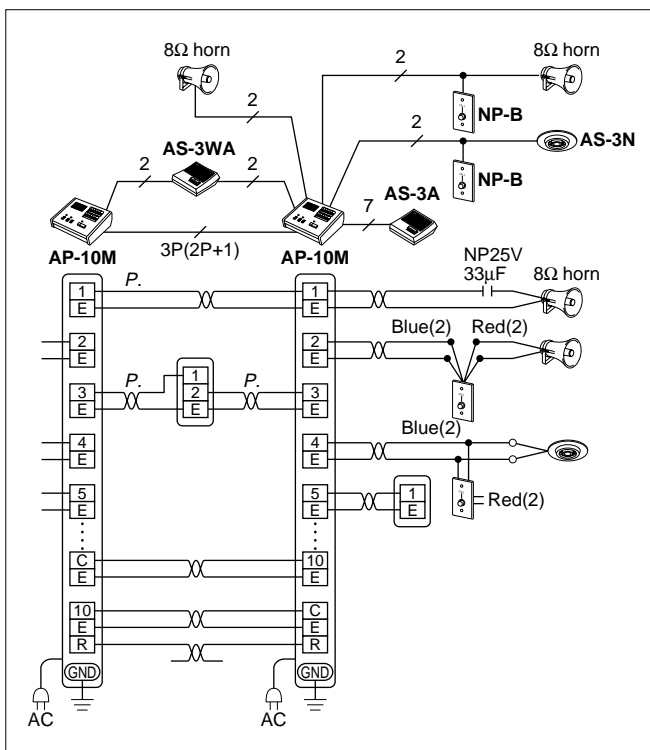
N-EA
 Surface-mount round frame for AS-3N

Communication network & wiring



System components

- AP-1M: 1-call master
- AP-5M: 5-call master
- AP-10M: 10-call master
- AS-3A: 1-call desk/wall sub
- AS-3WA: 2-call desk/wall sub
- AS-3N: Ceiling sub
- NP-B: Call button
- 8Ω or 16Ω horn speaker (locally available)



Specifications (AP-M)

Power source	220~240V AC, 50/60Hz.	
Consumption	45W. 6W standby.	
Communication	Sub calls in with tone & LED, 15 sec. Depress a selector and use Talk/Listen switch. All call selectively to max. 5 subs. Max. 10W transmit, adjustable. 300mW receive, adjustable.	
Wiring	1 twisted pair per sub, non-polarized 3 pairs (5), masters.	
Distance	0.65mmø	0.8mmø
• AP-M to sub	150m	230m