

Handset Intercom

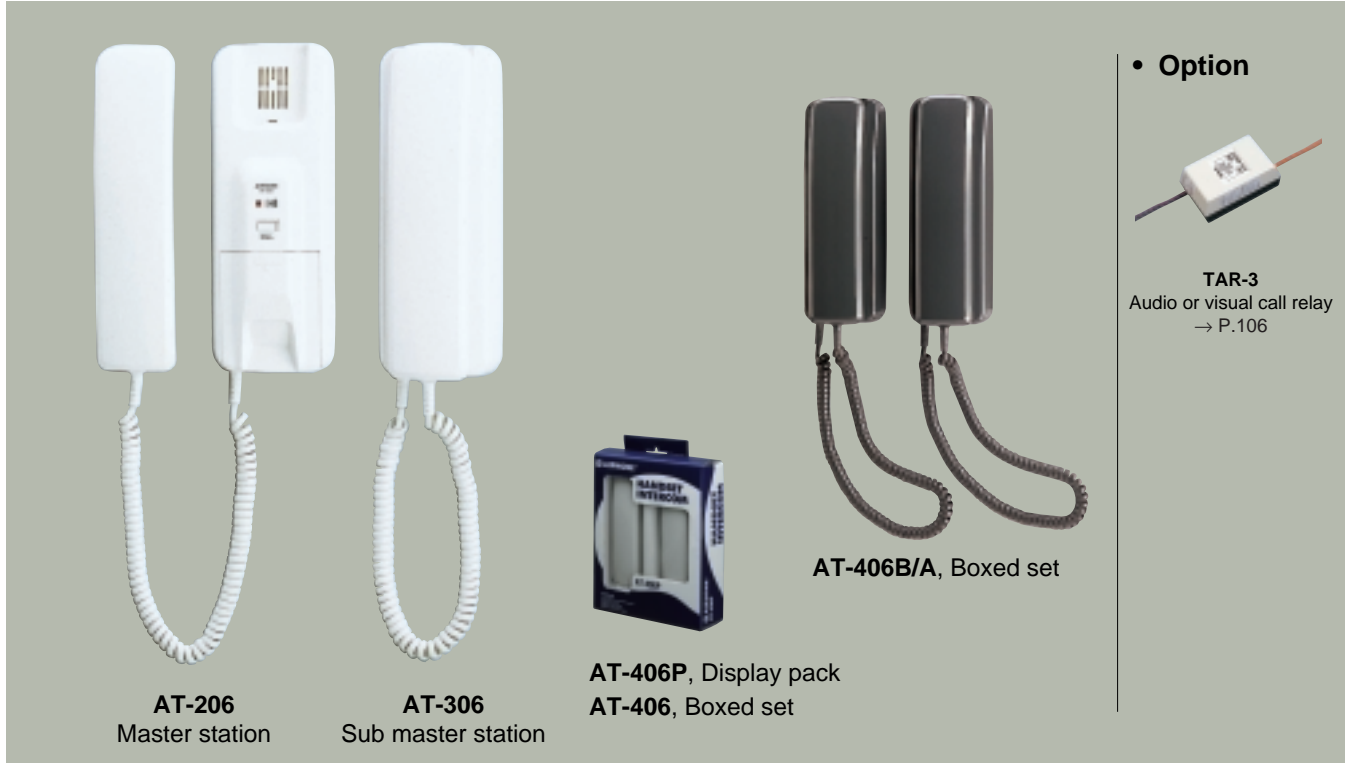
MASTER
1

SUB
3

AT-406



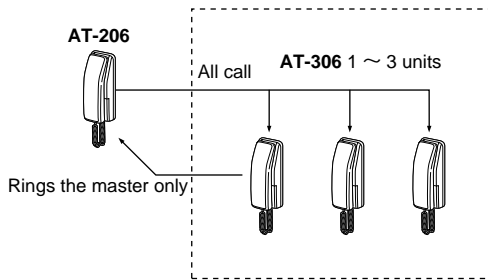
- Handset master-sub intercom w/2 add-on subs
- Battery status LED
- Batteries or DC power supply
- Buzzer or bell activation (optional)



• Option

TAR-3
Audio or visual call relay
→ P.106

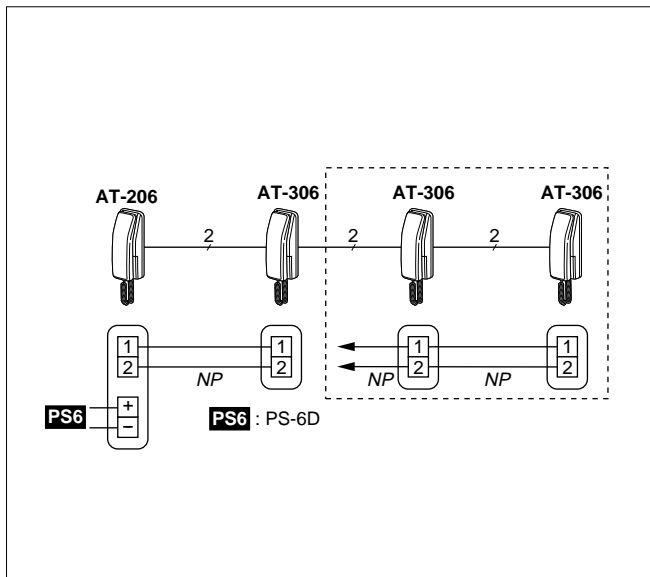
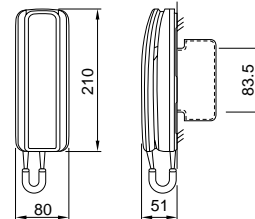
Communication network & wiring



System components

- AT-406:** Boxed set (AT-206 & one AT-306)
- AT-406P:** Display pack (AT-206 & one AT-306)
- AT-306:** Add-on sub master station
- Power supply:** PS-6D or batteries

AT-206
AT-306



Specifications (AT-406)

Power source	6V DC, 150mA	
Power supply	PS-6D or Batteries "AA" (SUM-3) x 4 pcs	
Communication	Press CALL button to ring all subs. Pick up any phone. Sub rings master only. Common talk.	
Wiring	2 parallel wires, non-polarized	
Distance	0.65mmø	0.8mmø
• 2-station set	700m	1,000m
• AT-206 to subs1~3	400m	600m