

Business Accessories

Paging PD-1, PD-2



USED FOR

TD-nH/B
(n=1, 3, 6, 12 & 24)
TD-nZ/A
(n=6 & 12)

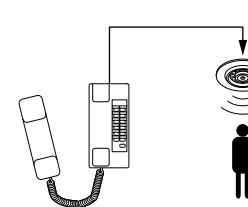
FEATURES

- Connection to TD-H cable with 3 wires via 12V DC power supply
- Single or multi zones, using a station(s) capacity
- PAGE button located in TD phone station handset (any)
- Music source connection. Page pretone cuts out music.

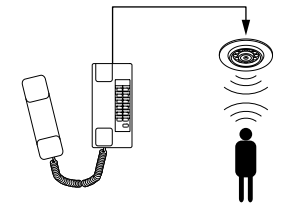
SPECIFICATIONS

Power source: PD-1: 12V DC, 30mA.
PD-2: 12V DC, 48mA (talkback).
20mA (paging).
Power supply: PS-12A, PS-12B of TD system
Output: 5KΩ. Max. 1.5V.
Paging & music: Treble 12dB at 10KHz.
Tone controls: Bass 12dB at 100Hz.
Amp. input: AUX or PHONO 100K-500KΩ,
0.12-0.5V.
Music input: 17KΩ, 0.3V, 1KHz. for full output.
Tuner output: Audio output: Range 100mV-1.2V,
10KΩ or less.
Tape output: Low level output: Range
100mV-1.2V, 600Ω.
Talkback gain: 40dB, 1KHz. at max. volume.
Environmental noise: Less than 80dB (phon).
Paging: Select an assigned selector #
and page w/PAGE button
depressed. Release to receive
reply. Multiply takes place.
Wiring: 3 wires to TD-H/B via power
supply.

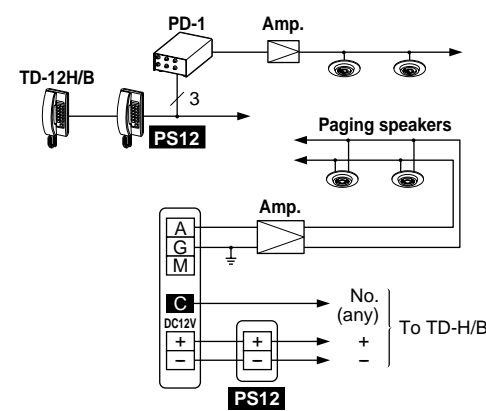
• Single-zone paging



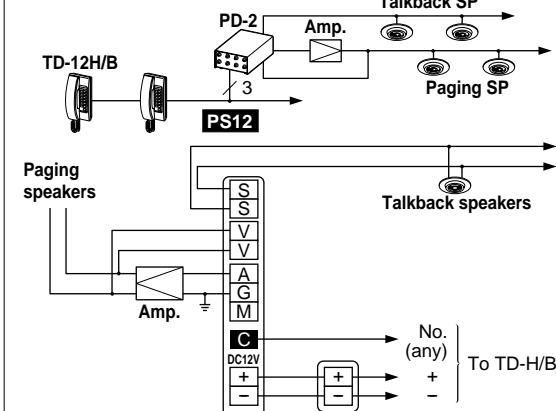
• Single-zone talkback paging



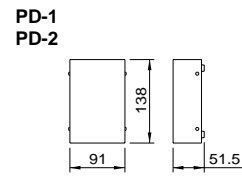
• Single-zone paging w/PD-1



• Single-zone talkback paging w/PD-2



PS12 : PS-12A, PS-12B



Local speaker cutout relay RY-SP



USED FOR

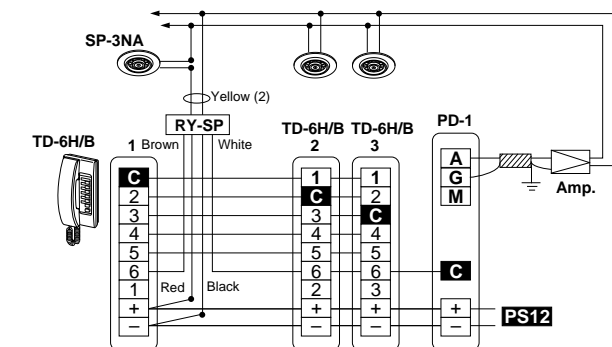
TD-nH/B
(n=1, 3, 6, 12 & 24)

FEATURES

When a TD-nH/B phone station initiates paging, the overhead speaker only ceases to function to avoid acoustic feedback, while paging from other TD stations will be announced normally.

SPECIFICATIONS

Power source: 12V DC, supplied from TD cable.
Consumption: Less than 50mA (paging).
Wiring: 2 to Speaker.
3 to TD-nH/B. 1 to PD-1.
Wiring distance: 100m w/0.65mmø, TD-nH/B to Relay.



PS12 : PS-12A, PS-12B

Paging YAW-R, YAW-RA



USED FOR

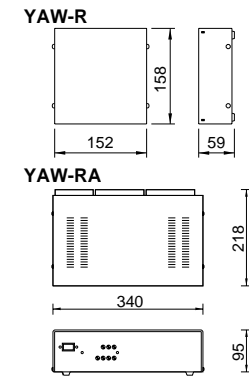
YAZ-90-3

FEATURES

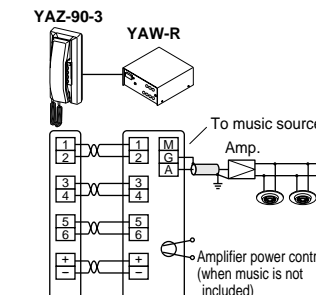
- Total 10 YAW adaptors can be used in a 90-station YAZ system
- Zone page, Multi-zone Page or All Page w/YAW-RA(PB-YKX for each talkback zone)
- Paging amplifier power control(w/o music)
- Background music input and output to amplifier
- Select zone #'s and page w/PAGE button in handset. Release for talkback

SPECIFICATIONS

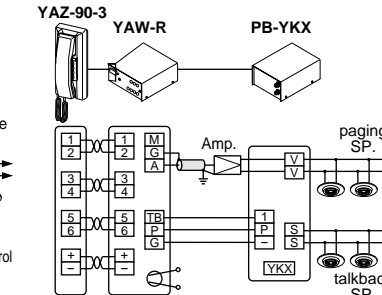
Power source: YAW-R: 24V DC, 150mA (paging).
200mA (talkback). 40mA(standby).
YAW-RA: 24V DC, 400mA (paging).
700mA (talkback). 40mA (standby).
Consumption: YAW-R = 5 YAZ's, powered by YAZ network.
YAW-RA = 10 YAZ's.
PB-YKX = one YAZ.
Paging impedance/level: Input: 600Ω/78mV(RMS),1KHz.
Output: 600Ω/300mV(RMS),1KHz.
Music impedance/level: Input: 20KΩ/300mV(RMS),1KHz.
Output: 600Ω/150mV(RMS),1KHz.
Line resistance: 20Ω (5Ω for RA) loop for power supply line.
200Ω loop for intercom line.
Amp. power ctrl. contact: YAW-R: 240V AC,10A. 24V DC,10A.
YAW-RA: 24V AC,10A.
Wiring: 4 twisted pairs to YAZ.



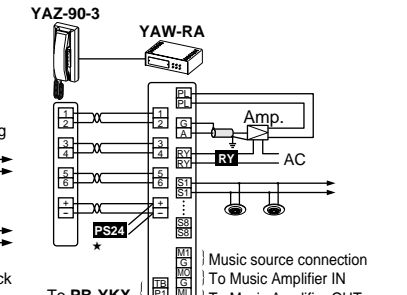
• Single zone paging



• Paging with talkback



• Multi-zone paging



★ PS24: Install a PS-2420S at YAW-RA.

Paging MC-A/A



USED FOR

RCX-48CEU/B, RCX-88CEU/B
RCX-128CEU/B

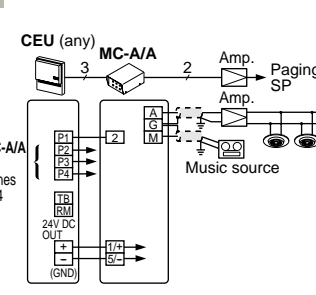
FEATURES

- CEU has 4 paging zone capability built-in, each using MC-A/A paging adaptor with amplifier.
- Optional PB-YKX for talkback.
- Dial paging zone, then press button on handset or TALK button to page.
- Background music can be included, and automatically mutes during page.

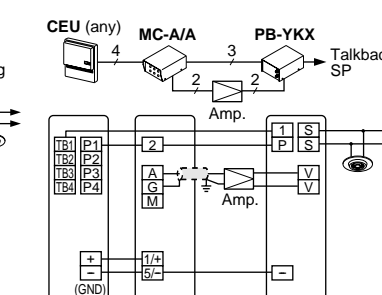
SPECIFICATIONS

MC-A/A
Power source: 24V DC, supplied by CEU (any).
Amp. input: AUX 10KΩ, 0.3V-0.5V.
Music source output: Range 100mV-1.2V, 10KΩ or less.
PB-YKX
Power source: 24V DC, 40mA (talkback). 2mA (standby), supplied by CEU (any).
Talkback gain: 38dB, 1KHz.
Environmental noise: Less than 80dB (phon) at 1m.

• Single page zone



• Single page zone w/talkback



• 4 page zones

