

Chime Tone Intercom



IE-1AD(U)

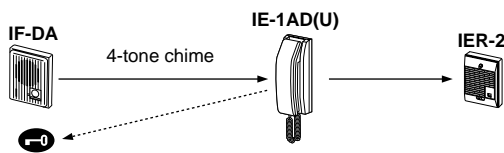


- Chime tone intercom for 2 locations
- Door release button
- AC or DC power source

AUDIO ENTRY SECURITY

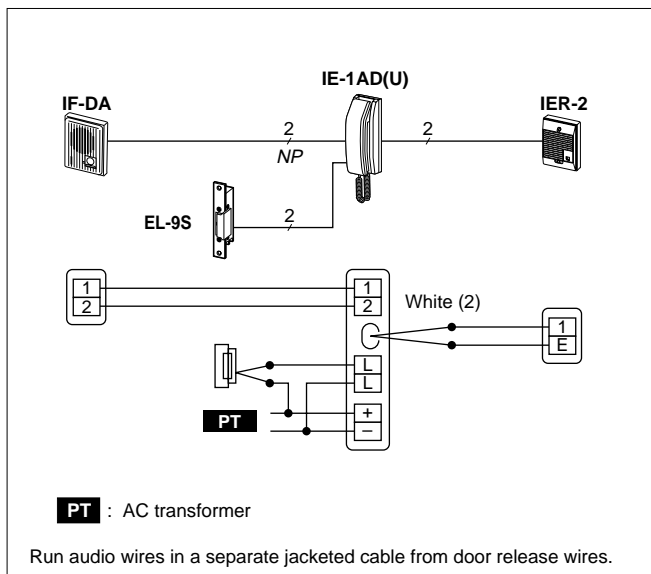


Communication network & wiring

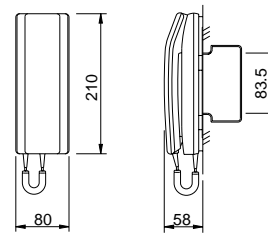


System components

IE-1AD(U): Master station
IF-DA: Door station (any IE/IF)
Power supply: 12~24V DC power supply or 12~16V AC transformer



IE-1AD(U)



Specifications (IE-1AD(U))

Power source	12~16V AC, 180mA. 12~24V DC, 160mA.	
Power supply	AC transformer (for both IE & EL-9S), PS-12A, PS-12B.	
Communication	Door calls in w/4-tone chime, adjustable. Pick up handset to reply.	
Door release	Contact rating: 24V AC/DC, 500mA	
Wiring	2 parallel wires, non-polarized (+2 for EL-9S)	
Distance	0.65mmø	1.0mmø
• IE-1AD(U) to door	150m	360m