

Video Sentry Color Tilt

DOOR **3** ROOM **5**

KB-3MRD



New

- 3 doors & 5 monitors w/TILT camera control.
- INSTANT ON audio & image of door.
- Station selector or All Call.
- Audio sub station in lieu of monitor.
- Optional audio door at 3rd entry.
- Push chime or receive volume control.



KB-DAR
Video door station



KB-3MRD
Master station



KB-3HRD
Sub master station



KB-3SD
Audio sub station

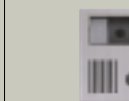
Options



KC-32EU
Picture memory unit
→ P.32



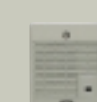
RY-3DL
3 Door release selector relay



KA-DGR PANEL
Stainless steel panel for KB-DAR → P.28



EL-9S
Door release
→ P.97



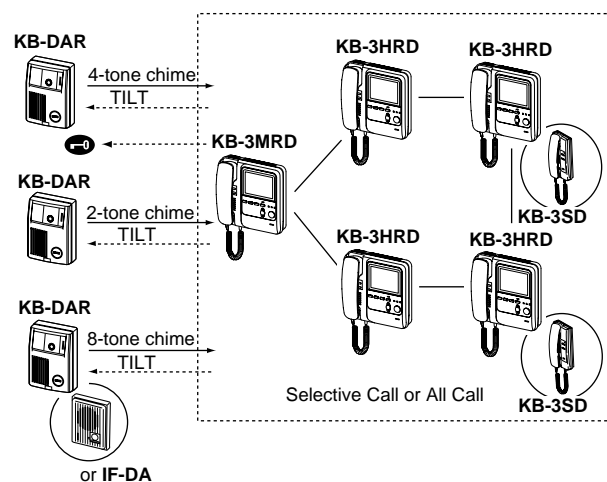
IER-2
Call extension
→ P.96

MAW-B: Relay for auxiliary light control → P.97
KAW-D: 30° Angle Box for KB-DAR → P.33

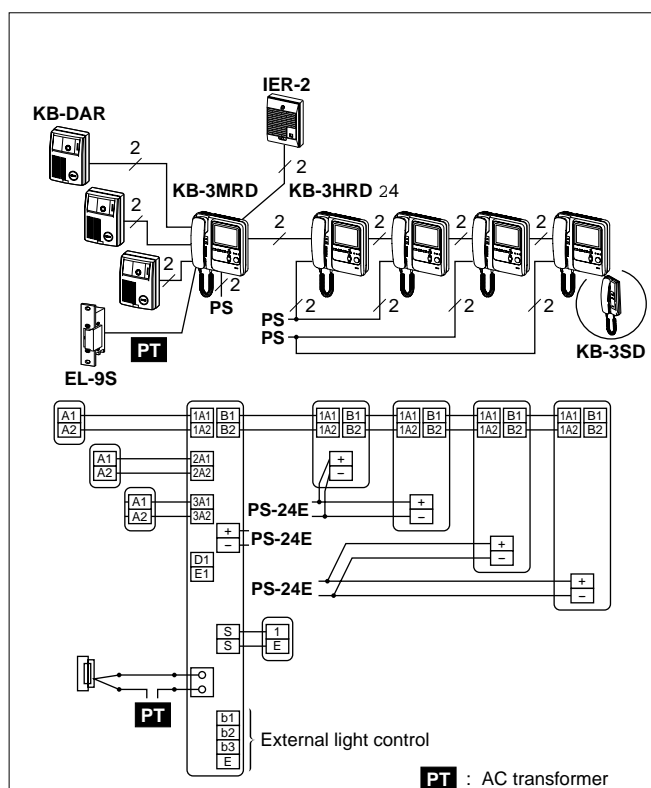
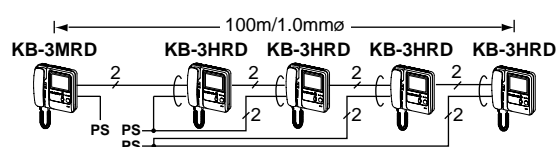
AUDIO / VIDEO ENTRY SECURITY

AUDIO / VIDEO ENTRY SECURITY

Communication network & wiring



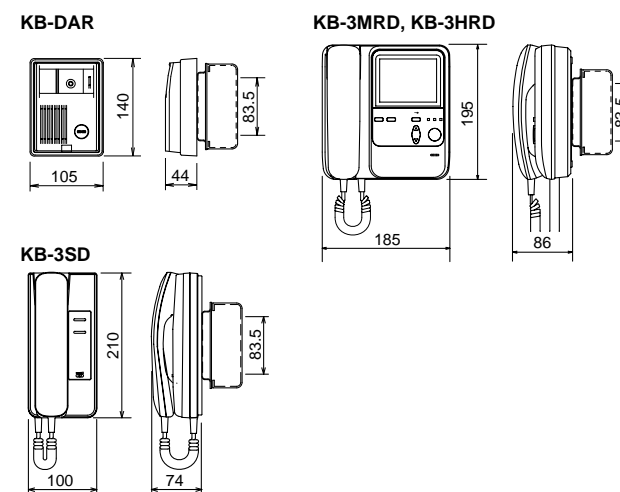
Connecting power supply



- D1, E1: for IF-DA door station instead of third KB-DAR.
- Run audio/video wires in a separate jacketed cable from door release wires.

System components

- KB-DAR:** Video door station
- KB-3MRD:** Master station
- KB-3HRD:** Sub master station (Max. 4 pcs)
- KB-3SD:** Sub master station (Audio only Max. 2 pcs)
- 24V DC power supply: PS-24E**
- * Install one or two KB-3SD in lieu of KB-3HRD sub master station. Wiring is exactly the same as on KB-3HRD.



Specifications (KB-3MRD)

| | | |
|-------------------|--|--------|
| Power source | 24V DC. | |
| Consumption | KB-3MRD: max. 860mA. 220mA standby. KB-3HRD: max. 410mA. 80mA standby. KB-3SD: max. 85mA. 50mA standby. | |
| Power supply | PS-24E | |
| Video monitor | TFT color LCD | |
| Communication | Door calls in w/4-tone chime, 30 sec. Hear and see door instantly. Pick up at any station to reply, 2-1/2 min. timed. Recycle with MONITOR. Monitor handsfree audio & image of door w/MONITOR. Press a station selector and call by voice. The called station replies handsfree. Lifting handset, press ALL CALL button to call the rest stations w/pretone and voice. | |
| Image view area | Approx. 60cm Horiz., 111~235cm Vert. at 130cm high & at 50cm in front of camera. | |
| Night viewing | Up to 30cm from camera, with white LED projected. Background scene beyond 30cm can not be seen. | |
| Door release | Contact rating: 12V AC, 400mA. | |
| Wiring | 2 parallel wires to door, non-polarized. 2 wires in loop, between monitors, plus 2 wires separately run from power supply. | |
| Distance | 0.65mmø | 1.0mmø |
| • KB-3MRD to door | 100m | 200m |
| • KB-3MRD to subs | 50m | 100m |
| • KB-3MRD-IER-2 | 50m | 100m |