

Video Sentry PanTilt

DOOR 2 ROOM 6 MY-CU & IE-8MD

- 6-stations & single PanTilt door.
- Add-on monitors with additional power supply.
- Answer door from any room station.
- Selective or All Call between room stations.

Options

- EL-9S Door release → P.97
- MYW-BA Long-distance adaptor → P.33
- TAR-3 or RY-AC/A Auxiliary call device relay. → P.96

IE-8MD & MY-CU, 6-call master & main monitor
IE-8HD & MYH-CU, 6-call sub master & sub monitor

MK-DBC Video door station → P.29

IF-DA Door station

MONOCHROME **PANTILT**

New

MYW-P3CB & IE-8MD (Two PanTilt doors + one camera)

Options

- EL-9S Door release → P.97
- TAR-3 or RY-AC/A Auxiliary call device relay → P.96
- MYW-BA Long-distance adaptor → P.33
- Surveillance camera locally available, 525 scanning lines

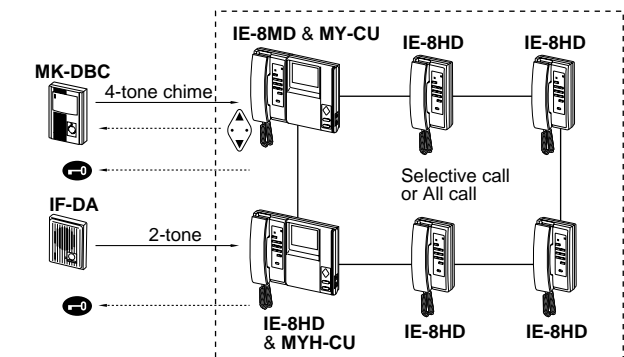
IE-8MD & MYH-CU Master /monitor
IE-8HD & MYH-CU Sub master/monitor

MK-DBC Video door station

MYW-P3CB 3-PanTilt camera adaptor

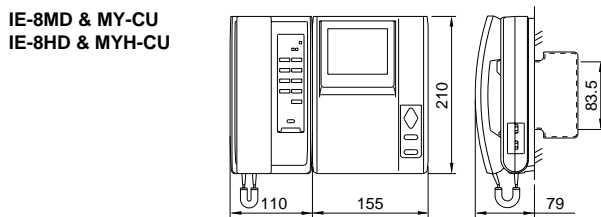
MK-DGC Video door station

Communication network & wiring



System components

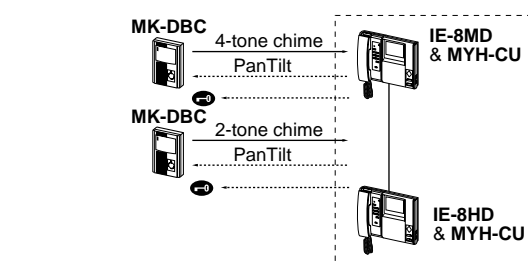
- IE-8MD:** Master station
- IE-8HD:** Sub station (max. 5 units)
- MK-DBC:** Video door station (any MY)
- IF-DA:** Door station (any IE/IF)
- MY-CU:** Main monitor
- MYH-CU:** Sub monitor (2 pcs or more*)
- 18V DC power supply: PS-18E (2A), PS-18YE, PS-18YC/A (1A)**
- * Add 1~ 4 sub monitors with supplementary PS-18E.



Specifications (MY-CU & IE-8MD)

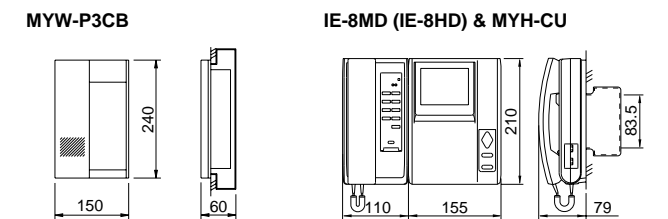
Power source	18V DC, 1.8A IE-8MD: 12~18V DC, 0.5A. MY-CU: 18V DC, 0.9A. MYH-CU: 0.4A.	
Power supply	PS-18E	
Communication	Door calls in w/4 or 2-tone chime, 45 sec. Lift any handset to reply, 2-1/2 min. Press MONITOR to recycle. Cut chime tone if needed.	
Wiring	2 parallel wires to door, non-polarized. 6 wires, monitors in loop.	
Distance	0.65mmø	1.0mmø
• MY-CU to P/T door	50m	100m
• MY-CU to MYH 1	35m	75m

Communication network & wiring



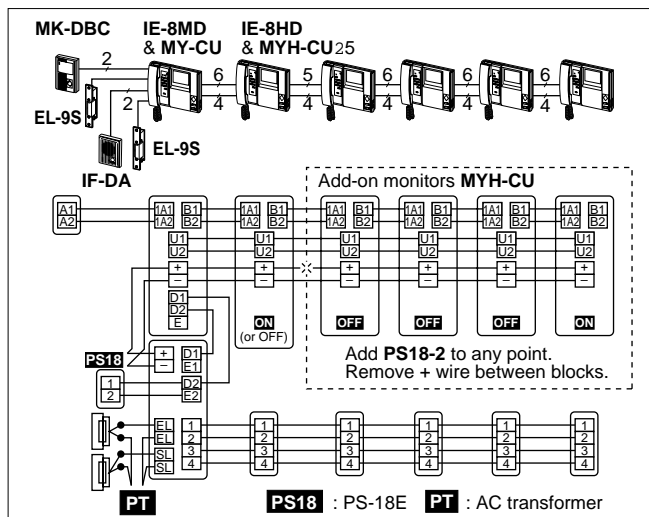
System components

- IE-8MD:** Master station
- IE-8HD:** Sub master station (max. 5 units)
- MYW-P3CB:** 3-PanTilt camera adaptor
- MYH-CU:** Video monitor (2 pcs or more*)
- MK-DBC:** Video door station (any MY, MK)
- 18V DC power supply: PS-18E**
- * One to 4 additional monitors with supplementary PS-18E



Specifications (MYW-P3CB)

Power source	18V DC, 1.2A. 0.25A standby. MYH-CU: 0.4A. 0A standby.	
Power supply	PS-18E	
Capacity	3 PanTilt doors/camera or 1 coax. camera	
Auto-scan duration	5 or 10 sec. Press MONITOR 1.5 sec.	
Door release	3(2), channel controlled	
Wiring	2 parallel wires, to door. 6 wires, MYW to MYH-CU1-2 6 wires, MYW to IE-8MD	
Distance	0.65mmø	1.0mmø
• MYW ~ door	50m	100m
• MYW ~ MYH1-2	17m	35m



Run audio/video wires in a separate jacketed cable from door release wires.

