

# Open Voice/Handset Intercom

STATION

128

RCX/B



- Duplex intercom with CEU
- Max. 48, 88 & 128 station capacity
- Total handsfree open voice communication almost simultaneous with auto or slow voice switching. Complete simultaneous w/handset.

- Variety of standard features: Speed dial, mic. cut, temporary privacy release, break-in signal & voice, camp-on busy, secretary (station) transfer, call transfer, call holding, all call through stations, zone page or all zone page through external speakers, conference call, absence memory w/call back, page to selected zones.

**RA-D**  
Open voice/handset combination master

**RA-A**  
Open voice master w/private bar switch

**RCX-48/B:** 48-station CEU  
**RCX-88/B:** 88-station CEU  
**RCX-128/B:** 128-station CEU

**RA-B**  
Flush-mount master

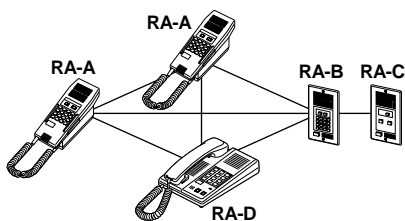
**RA-C**  
Flush-mount sub

• **Options**

**MC-A/A:** Zone page adaptor → P.73

**PB-YKX:** Talkback adaptor → P.73

## Communication network & wiring



## System components

### Central exchange units

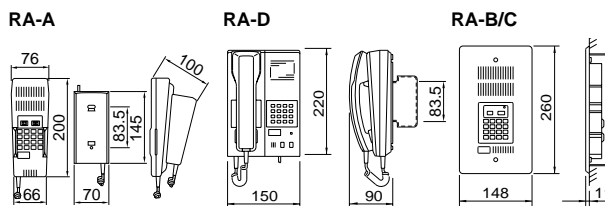
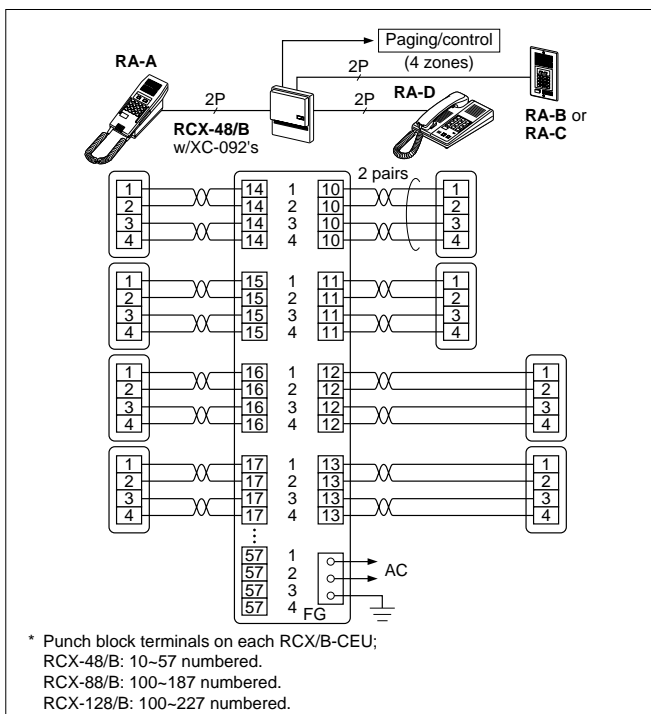
**RCX-48 CEU/B** plus station cards XC-092 (6 pcs)

**RCX-88 CEU/B** plus XC-092 (11 pcs)

**RCX-128 CEU/B** plus XC-092 (16 pcs)

For additional channels, add one or two XC-091 Duplex Link card.

**Station units:** RA-D, RA-A, RA-B or RA-C sub according to environment and purpose.



## Specifications (RCX/B)

Power source	RCX-CEU/B: 220-240V AC, 50/60 Hz.	
Consumption	RCX-48 CEU/B: 80W, 45W standby. RCX-88 CEU/B: 125W, 60W standby. RCX-128 CEU/B: 150W, 70W standby.	
Talk channels	4, 8 & 12 mounted, each 8 more channels added.	
Communication	Open voice total handsfree, handset private or press-to-talk.	
Dialing	Mono-frequency duty modulation. 2 or 3-digit dial #10-57 (RCX-48/B). #100-187 (RCX-88/B). #100-227 (RCX-128/B).	
Internal network	PAM Time sharing multi-network	
Line resistance	220Ω loop	
Wiring	2 twisted pairs, homerun	
Distance	0.65mmø	0.8mmø
• CEU to RA-D	2,000m	3,000m