

402

hydraulic operator for residential two-leaf swing gates with single-leaf length of 6' (402 CBC) single leaf with length of 10' (402 SBS)

available at AFW Access Systems

Phone: 305-691-7711 • Fax: 305-693-1386 • E-mail: sales@anchormiami.com • Web Site: AnchorMiami.com



THE HYDRAULIC SYSTEM IDEAL FOR RESIDENTIAL GATES

Quick and easy to install, the FAAC 402 system is the most practical and economic choice for residential gates of up to 1.8 metres in length per leaf. The FAAC 402 hydraulic device requires little maintenance and is low on electrical power consumption.

MAXIMUM SAFETY

The exclusive hydraulic device, ensuring maximum anti-crushing protection, features two highly sensitive by-pass valves. In case of an emergency, the release key makes it possible to operate the gate manually.

LOW NOISE AND RELIABILITY REQUIRING LITTLE SPACE

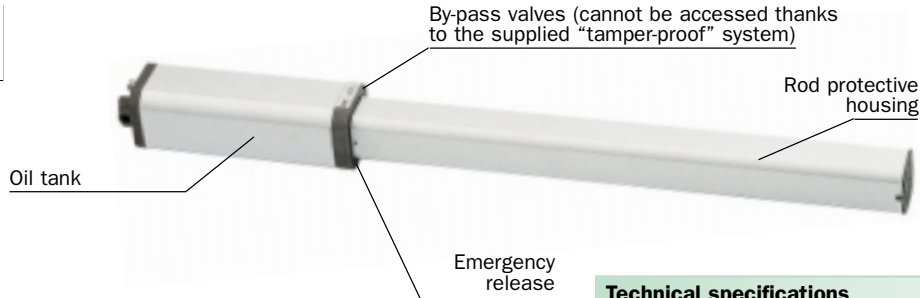
Few components and the use of hydraulic oil as motor fluid are the secrets ensuring very quiet movement and reliability under all atmospheric conditions and in an outdoor temperature range of -20°C to +55°C. Thanks to its compact size, FAAC 402 can be installed even when space is at a premium.

FAAC QUALITY GUARANTEED THROUGH TIME

On top of the undisputed advantages of FAAC's hydraulic system, there is also a corrosion proof coating highly resistant to atmospheric agents with guaranteed long-life.

SPECIFICATIONS

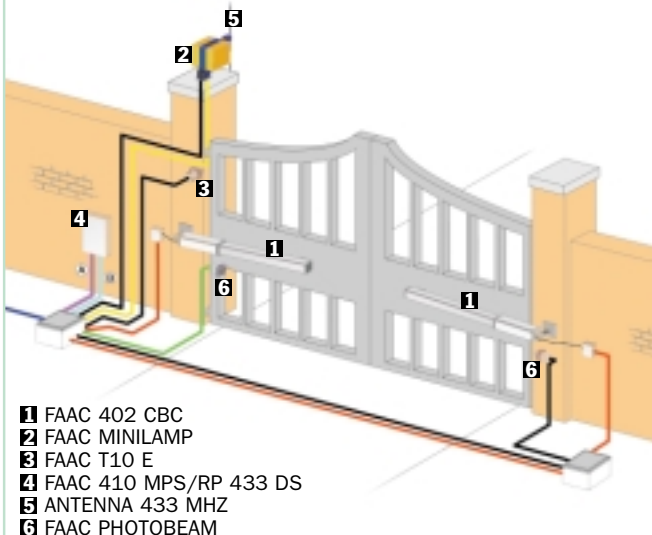
Hydraulic operator with piston for swing-leaf gates • Models with hydraulic locking and without hydraulic locking • Models suitable for max. leaf length up to 3.0 m • Max use frequency 55 cycles/hour • Pillar installation • Leaf opening inwards or outwards • Max opening angle 110° • Models with max traction/thrust force 690 daN • Models with max rod speed 1.3 cm/s • Rod effective stroke 240 mm • Electric motor power supply 230 V (+6% -10%) - 50 (60) Hz • Electric motor power 220 W • Thermal protection at 120° built into motor winding • Overall dimensions (Length x Width x Height) 959x90x85 mm • Protection class IP55 • Operating ambient temperature -20°C +55°C • Built-in release device with triangular key • Single-phase motor with two rotation directions (1.400 rpm) • Hydraulic gerotor pump (max low noise) • Die-cast distribution flange • Separate control of opening and closing force by by-pass valves with tamper-proof plate • Anti-crushing safety to UNI 8612 standards • Rod in stainless steel • Tank and piston protective housing in anodised aluminium • Mineral hydraulic oil with additives



Model	Use		
	Single leaf max length (m)	Nr. of leaves	Use frequency (cycles/hour)
402 CBC	1,80	2	55
402 SBS	3,00	1	55

Technical specifications	402 CBC	402 SBS
Power supply	230 V~ (+6% -10%) 50 (60) Hz	
Absorbed power	220W	
Absorbed current	1 A	
Motor rotation speed	1400 rpm	
Rod extension speed	1.3 cm/s	1 cm/s
Pump flow rate	1 l/min.	0.75 l/min.
Traction and thrust force	0÷500 daN	0÷690 daN
Operating ambient temperature	-20°C +55°C	
Thermal protection on motor winding	120°C	
Weight	6.5 kg	
Type of oil	FAAC OIL XD 220	
Protection class	IP 55	

INSTALLATION DIAGRAM SPECIMEN



- 1 FAAC 402 CBC
- 2 FAAC MINILAMP
- 3 FAAC T10 E
- 4 FAAC 410 MPS/RP 433 DS
- 5 ANTENNA 433 MHZ
- 6 FAAC PHOTOBEAM

Low voltage cabling		Power cabling (230V)	
A	3 cables 3x0.5	B	2 cables 3x1.5+T
	1 cable 2x0.5		1 cable 2x1.5+T
			1 cable 2x1.5

N.B: Cable diameters in mm²

Specifications of 410 MPS 402 CBC packing

Power supply	230 V~ (+6% -10%) 50 (60) Hz
Transformer power	8.5 VA
Accessories output	24 Vdc 290 mA max
Motors maximum load	800W
Operating ambient temperature	-20°C +55°C
Three protection fuses	5 A motor - 0.8 A accessories 0.25 A logic
Leaf opening delay	2.5 s
Enclosure dimensions Mod. E	204x265x85 mm (LxHxD)
Protection class	IP 55

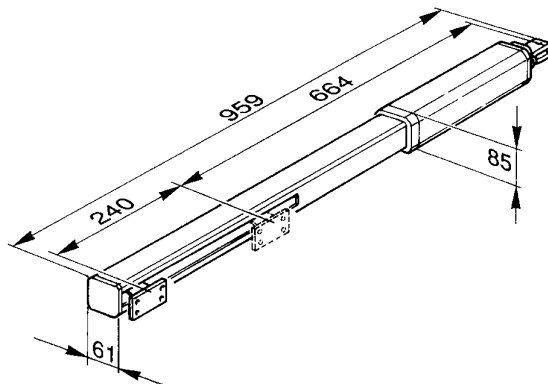
- **Input signalling LED**
- **Programmable functions**
 - Four function logics - "Closing photocell" function logic - Torque control trimmer - Pause time control trimmer - Motion time control trimmer - Trimmer for controlling leaf closing delay
- **Opening and closing safety devices inputs**
- **SMT Technology**
- **Photocells fail safe**

Specifications of 450 MPS 402 SBS packing

Power supply	230 V~ (+6% -10%) 50 (60) Hz
Transformer power	35 VA
Accessories output	24 Vdc 500 mA max
Motors maximum load	800W
Operating ambient temperature	-20°C +55°C
Four protection fuses	5 A motor - 0.8 A accessories 0,25 A logic - 1,6 A electric lock
Output for electric lock	12 Vac 12 VA
Leaf opening delay	2.5 s
Enclosure dimensions Mod. L	213x270x118 mm (LxHxD)
Protection class	IP 55

- **Input signalling LED**
- **Programmable functions**
 - Six function logics - "Closing photocell" function logic - Torque control trimmer - Pause time control trimmer - Motion time control trimmer - Trimmer for controlling leaf closing delay - Reverse stroke for electric lock
- **Indicator-light**
- **Free leaf**
- **Opening and closing safety devices inputs**
- **SMT Technology**
- **Photocells fail safe**

Dimensions



Values in mm

N.B.: Timed electronic deceleration is possible by using the 460 P equipment. By combining the device with GATECODER, in addition to electronic deceleration, the electronic obstacle detection function is also available. (see page 89)