

412 COMPACT

electro-mechanical operator **for residential two-leaf swing gates** **with single-leaf length of 6'**

available at AFW Access Systems

Phone: 305-691-7711 • Fax: 305-693-1386 • E-mail: sales@anchormiami.com • Web Site: AnchorMiami.com



THE IDEAL CHOICE FOR RESIDENTIAL GATES

The FAAC 412 Compact is the most practical and economical choice for residential gates up to 1.8 metres in length per leaf. It is available in a handy package, complete with operators, electronic equipment and accessories for easy installation. The 412 Compact operator is non-reversing and, therefore, does not require electric locks and bolts.

QUICK AND EASY TO INSTALL

Quick and easy to install, no need for expensive modifications to the existing load bearing structure. Use of electro-mechanical technology makes the FAAC 412 Compact ideal for light duty applications.

ELECTRONIC SAFETY

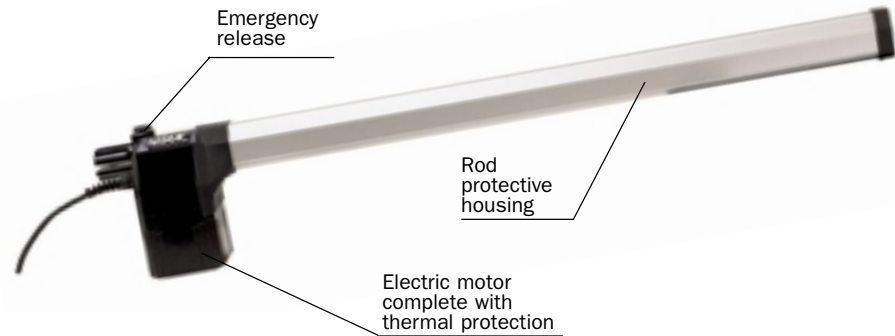
Anti-crushing protection is ensured by an electronic device directly controlling operator drive torque. In case of an emergency, the release key makes it possible to operate the gate manually.

LESS MAINTENANCE, HIGHLY RELIABLE

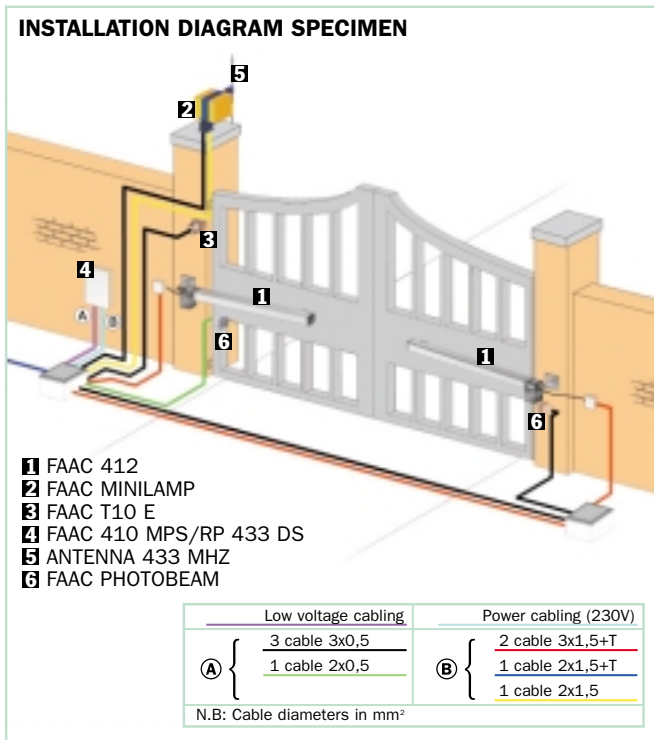
The FAAC 412 Compact electro-mechanical device cuts down considerably on maintenance. Reliability is assured under all atmospheric conditions and in an outdoor temperature range of -20°C to +55°C.

SPECIFICATIONS

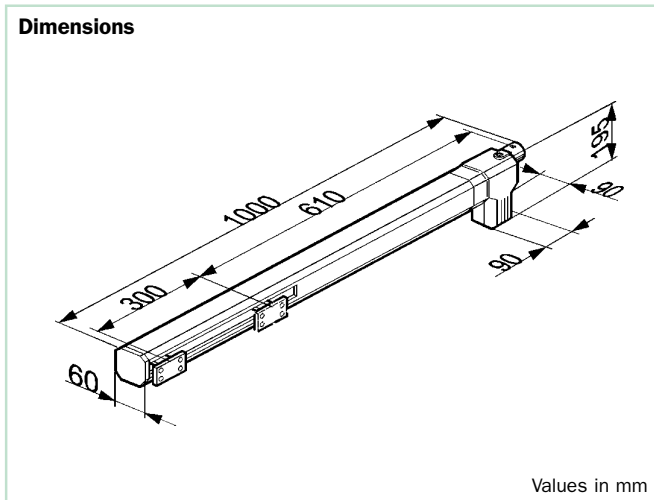
Non-reversing electro-mechanical screw actuator for swing-leaf gates • Leaf maximum length 1.8 m • Max use frequency 18 cycles/hour • Pillar installation • Leaf opening inwards or outwards • Max opening angle 110° • Max traction/thrust force of 320 daN • Rod speed 1.6 cm/s • Rod effective stroke 290 mm • Electric motor power supply 230 V (+6% -10%) - 50(60) Hz • Electric motor power 280 W • Thermal protection at 140° built into motor winding • Overall dimensions (Length x Width x Height) 1.000x90x195 mm • Protection class IP44 • Operating ambient temperature -20°C +55°C • Built-in release device with hexagonal key • Motor body transversally located, and painted • Screw housing in anodised aluminium



Model	Use		
	Single leaf max length (m)	Nr. of leaves	Use frequency (cicli/ora)
412 COMPACT	1,80	2	18



Operator technical specifications	412
Power supply	230 V~ (+6% -10%) 50 (60) Hz
Absorbed power	280W
Absorbed current	1,5 A
Motor rotation speed	1.400 rpm
Rod extension speed	1,5 cm/s
Traction and thrust force	0+320 daN
Thermal protection on motor winding	140°C
Operating ambient temperature	-20°C +55°C
Protection class	IP 44
Weight	6,5 kg



Specifications of 410 MPS control board	
Power supply	230 V~ (+6% -10%) 50 (60) Hz
Transformer power	8,5 VA
Accessories output	24 Vdc 290 mA max
Motors maximum load	800W
Operating ambient temperature	-20°C +55°C
Three protection fuses	5 A motor - 0,8 A accessories 0,25 A logic
Leaf opening delay	2,5 s
Enclosure dimensions Mod. E	204x265x85 mm (LxHxD)
Protection class	IP 55

- **Input signalling LED**
- **Programmable functions**
 - Four function logics
 - "Closing photocell" function logic
 - Torque control trimmer
 - Pause time control trimmer
 - Motion time control trimmer
 - Trimmer for controlling leaf closing delay
- **Opening and closing safety devices inputs**
- **SMT Technology**
- **Photocells fail safe**