

640

automatic barrier for beams up to 23'

available at AFW Access Systems

Phone: 305-691-7711 • Fax: 305-693-1386 • E-mail: sales@anchormiami.com • Web Site: AnchorMiami.com



THE RIGHT SOLUTION FOR LARGE INDUSTRIAL ACCESSES

With its length of 4 to 7 metres, the FAAC 640 range is ideal for traffic-control in large industrial accesses, with particularly demanding use.

RELIABLE AND RESISTANT

Use of cutting-edge materials and treatments such as cataphoresis and niproly, plus tried-and-tested FAAC hydraulic technology, all combine to ensure long-life.

HIGH-TECH

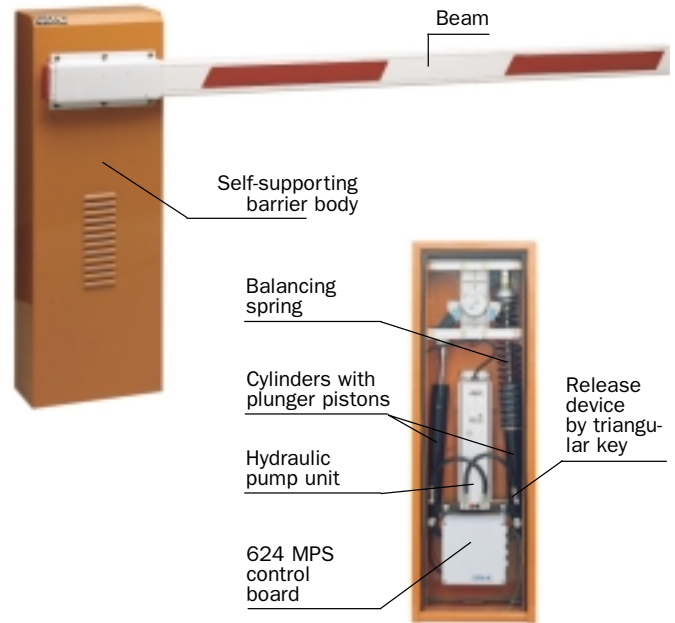
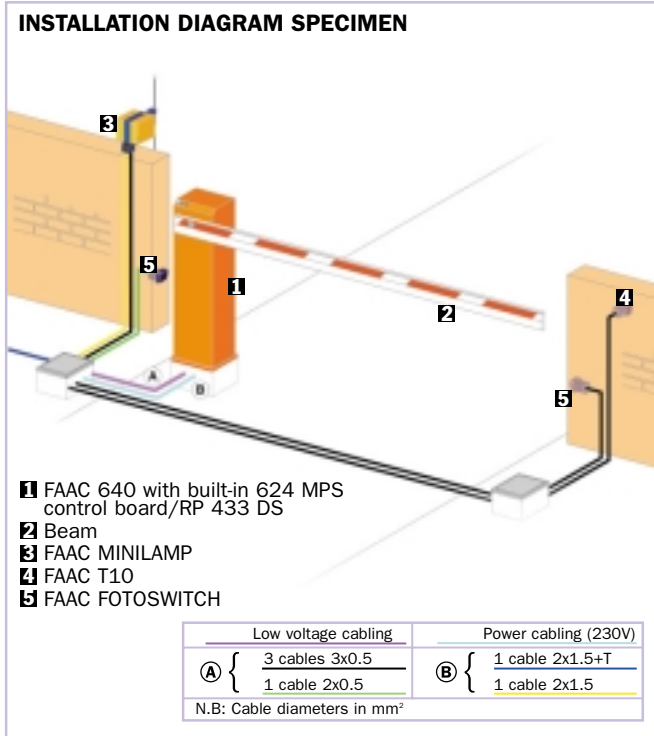
SMT microprocessor electronic technology is supplied standard to ensure exceptional performance. By means of an optional card, the barrier can also control auxiliary services and an additional opposing beam. Barrier statuses can be signalled to traffic control devices.

PRECISE STOPPING

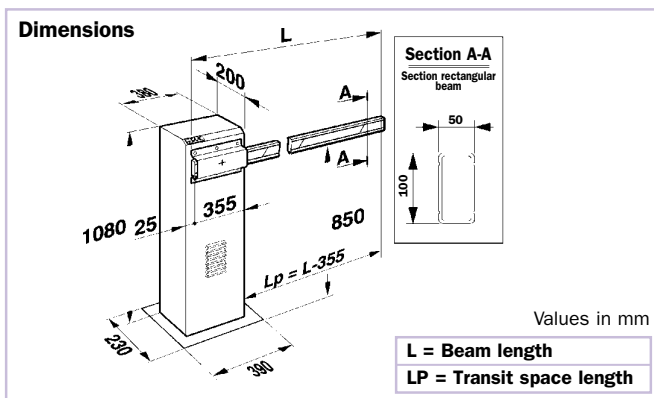
Perfectly calibrated stopping thanks to the adjustable electronic brake that slows down closing and opening movement. A thermal probe detects temperature and activates a cooling fan.

SPECIFICATIONS

Automatic barrier for beams up to 7 m • Use frequency 100% • Opening/closing time from 4 to 8 s • Activation system comprising hydraulic pump unit, plunger pistons, equaliser and transmission shaft • Balancing by compression spring • Internal stops adjustable for open or closed beam positions • Load bearing housing in steel protected by cataphoresis treatment and polyester powder paint RAL 2004 • Overall dimensions (L x W x H) 230x390x1080 mm • Protection class IP 44 • Release device accessible from the outside by triangular or customised key (optional) • Hydraulic pump unit with hydraulic locking at opening and closing • Electric motor power supply 230 V (+6% -10%) - 50(60) Hz • Electric motor power 220 W • Thermal protection at 120°C built into motor winding • Operating ambient temperature -20°C +55°C • Single-phase motor with two rotation directions (1,400 rpm) • Hydraulic gerotor pump (max low noise) • Pump flow rate 0.75-1-1.5-2 l/m • Die-cast distribution flange • Separate control of opening and closing force by by-pass valves • Anti-crushing safety to UNI 8612 standard • Tank in anodised aluminium • Mineral hydraulic oil with additives • Travel-limit deceleration • Adjustable deceleration angle by cams • Automatically activated cooling ventilation • Designed to accommodate rectangular, rectangular with skirt beams • Built-in electronic control equipment



Model	Use		
	Beam max. length (m)	Opening time (s)	Use frequency (%)
640 LH/RH	7,00	4 (5m)	100



Technical characteristics of 624 MPS control board

Power supply	230 V ~ (+6% -10%) 50 (60) Hz
Motor maximum load	300W
Accessories output	24 Vdc 500 mA max
Operating ambient temperature	-20°C + 55°C
Three protection fuses	0,25 A transformer - 5 A motor - 1,6 A accessories
Enclosure dimensions	174x178x102 mm (LxHxD)
Protection class	IP 55

- **SMT technology**
- **Programmable functions:** - Three function logics - A/E/P, Pause times, Pre-flashing, Electronic deceleration (short or long), Operation of indicator-light
- **Inputs signalling LED, alarm and limit-switch**
- **Terminal board outputs** Indicator-light, flashing Lamp
- **Terminal board inputs** - Open, stop, safety devices, anti-panic
- **Rapid connectors for:** Motor, limit-switch, decoding cards/card receivers, optional cards
- **Reset push-button**

Technical characteristics	640
Power supply	230 V~ (+6% -10%) 50 (60) Hz
Electric motor	Single-phase, bi-directional
Absorbed power	220W
Absorbed current	1A
Motor rotation speed	1.400 - 2.800 rpm
Pump flow rate	0,75 - 1 - 1,5 - 2 l/min.
Thermal protection on motor winding	120°C
Effective torque	0÷470 / 0÷340 / 0÷250 / 0÷210 Nm
Electronic deceleration	Adjustable with cams
Operating ambient temperature	-20°C +55°C
Weight	84 kg
Type of oil	FAAC oil XD 220
Barrier body treatment	Cataphoresis
Paint	RAL 2004 polyester
Protection class	IP 44
Cooling	Forced air
Type of beam	rectangular, rectangular with skirt