

# Compatible Mounting Base

Large 6"



Regular 4"

## Design Characteristics

- Major advantage of compatible mounting base is to save time on select proper detector for various purpose and able to install the base quickly and continuously during field installation. Afterwards, just plug-in proper detector head to complete the project.
- Large 6" mounting base is basically designed to match the entire decoration design.

## Dimensions

Screw Hole

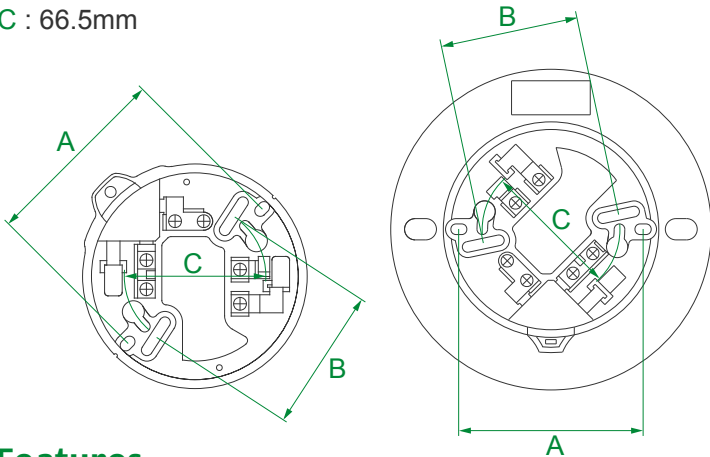
A : 74mm ~ 88.5mm

B : 40mm ~ 80mm

C : 66.5mm

Regular 4" Dia.  $\Phi$ 102mm

Large 6" Dia.  $\Phi$ 150mm



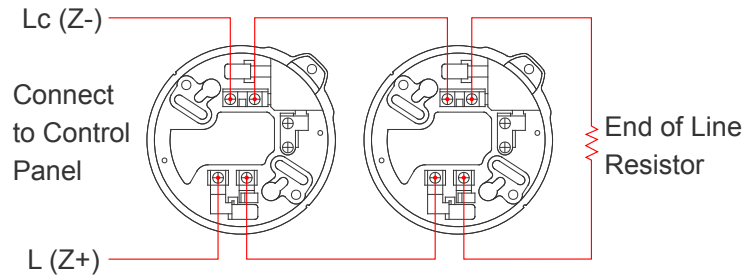
## Features

Item	Model	Feature, Applicant
Regular 4"	AHMB-L	2-wire Apply to conventional fire alarm control panel.
	AHMB-L3	3-wire Auxiliary for remote indicating lamp.
	ANMB-L4	4-wire 12~24VDC, optional one set of "A" contact . Apply to security system....etc.
Large 6"	AHMB-62	2-wire Apply to conventional fire alarm control.
	AHMB-63	3-wire Auxiliary for remote indicating lamp.
	AHMB-64	4-wire 12~24VDC, optional one set of "A" contact .

## Wiring Diagram

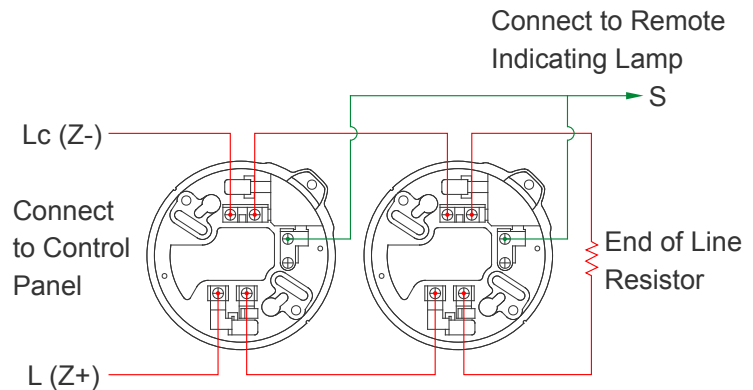
### 2-Wire Type

(Regular)



### 3-Wire Type

(Signal Transfer)

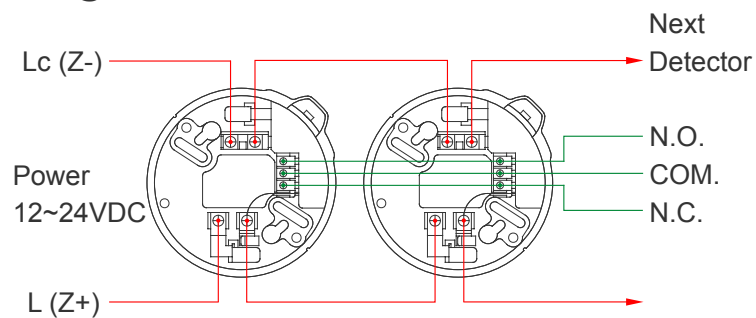


### 4-Wire Type

(Relay Output)

0.8A @30V DC

0.4A @125V AC



Approvals

