



Addressable Devices

Addressable Detector Base Specification

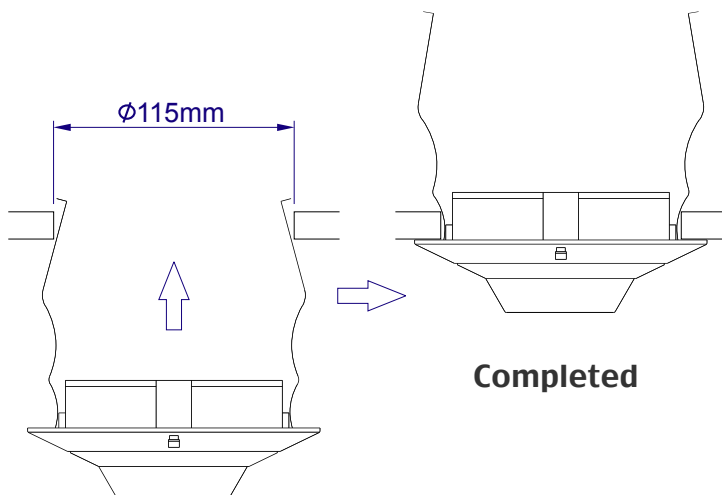
Model	AH-00118
Purpose	No Module is needed to control panel
System Connected	Conventional detector
Input Source	Zone signal
Output Contacts/Load	COM. N.O. /1.5A @30V DC 0.5A @220V AC
Installation Method	Projected Type : Installed on the ceiling Implanted Type : Installed into the ceiling
EOL Resistor	10k Ω
Address Setting	Decimal addressing
Ambient Temperature	0°C ~ +55°C
Material	Fire-proof plastic
Color	White
Dimensions	Projected : 102mm(Dia.) x 16.8mm(H) Implanted : 140mm(Dia.) x 34.5mm(H)

Addressable Manual Call Point Specification

Model	AH-00119
Purpose	Signal will directly sent to panel
System Connected	Control panel zone
Input Source	Loop signal
Output Contacts/Load	N/A
Installation Method	Same as regular manual call point
EOL Resistor	10k Ω
Address Setting	Decimal addressing
Ambient Temperature	0°C ~ +55°C
Material	Fire-proof plastic
Color	Red
Dimensions	140mm(Dia.) x 45mm(H)

Installation Method (Implanted Type)

First make a hold ($\phi 115\text{mm}$) on the ceiling with wire connected, then press the Iron plates (both sides of base) into this hole until the hole is totally sealed.



Approvals

