

SensorKey™

Wiegand Key and Reader

The SensorKey Wiegand access control alternative provides the convenience of a key-sized “card” with an unobtrusive, low-profile reader. Just 3.3 inches (8.35 cm) long, the Wiegand key fits conveniently on a key-chain while the 1.6 x 1.5 inch (4.1 x 3.8 cm) reader is ideal for executive offices, elevator lobbies, computer rooms, tool cribs, laboratories or main entrances.

The reader is sealed against the elements while vandals will find it frustrating. It is maintenance free.

The SensorKey Wiegand key and reader are another example of HID’s long-term commitment to responding to the needs of the access control marketplace.



Specifications

Dimensions:

Key: Overall length 3.290" (8.357 cm)
Overall thickness 0.093" (0.236 cm)
Blade length 2.375" (6.033 cm)
Blade width 0.669" (1.700 cm)
Head width 1.000" (2.540 cm)

Reader: 1.62" x 1.50" x 2.00"
(4.1 x 3.8 x 5.1 cm)

Construction:

SensorKey Wiegand keys are available in a standard size and color. The SensorKey reader is molded of advanced polymeric materials for superior wear resistance. It may be exposed to sun, rain, and snow.

Input power (reader):

5-12 VDC

Current (reader):

40 mA typical

Weight:

Key .09 oz. (2.6 gm)
Reader 4.5 oz. (127.6 gm)

Operating temperature:

-40° to 150°F (-40° to 70°C)

Operating humidity:

10 to 95%

Certifications:

UL 294 listed
CE Mark approved

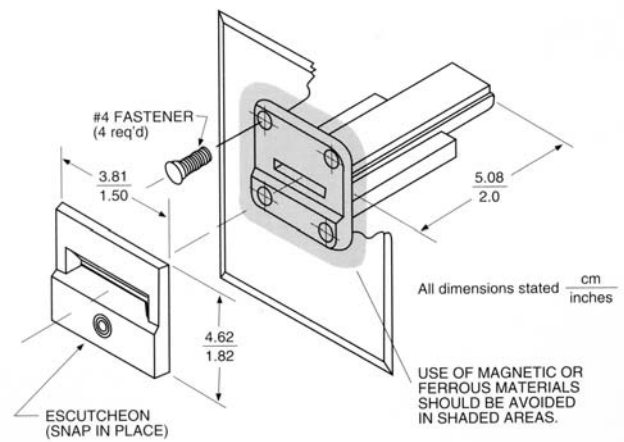
Cable distance:

500 feet (150 m) using shielded 22 AWG cable

Part Number

Style No: 25 SensorKey Wiegand Key
Description: Black Surface, Custom Specified Internal/External ID Numbers
Options: •Special Color
•Molded Logo
•Custom Graphics
Part No.: 313 SensorKey Wiegand Reader
Description: Single-color LED, Black

(Please see "How to Order" guide for a description of the options and associated part numbers.)



Features

Mounting: SensorKey readers are designed to be unobtrusive and to mount in-the-wall or to mounting plate. Once mounted, it is covered by a black snap-on escutcheon.

Visual indication: When a SensorKey key is withdrawn from the reader a single-color LED flashes red to indicate a proper read.

Proven reliable technology: The SensorKey Wiegand key conveniently attaches to a keychain and is used in applications throughout the world. The reader is impervious to the elements and a frustration to vandals.

Cross-reference: A Cross-reference list correlating the external key number and the programmed ID number is provided for easy system administration.

Security: The SensorKey Wiegand key offers more than one trillion unique codes. **Long Life:** The SensorKey key and reader provides an infinite number of reads.

Durability: SensorKey Wiegand keys are strong and flexible for resistance to cracking and breaking. The reader has no movable parts.

Custom graphics: Custom graphics are available.

Warranty: SensorKey Wiegand keys are provided with a two-year warranty and SensorKey Wiegand readers are provided with a lifetime warranty against defects in materials and workmanship. (See complete warranty policy for details.)



333 State Street, North Haven, Connecticut 06473 USA
Tel: (203)287-9000 (800)243-2563 Fax: (203)407-5967
Internet Address: <http://www.hidcorp.com>