

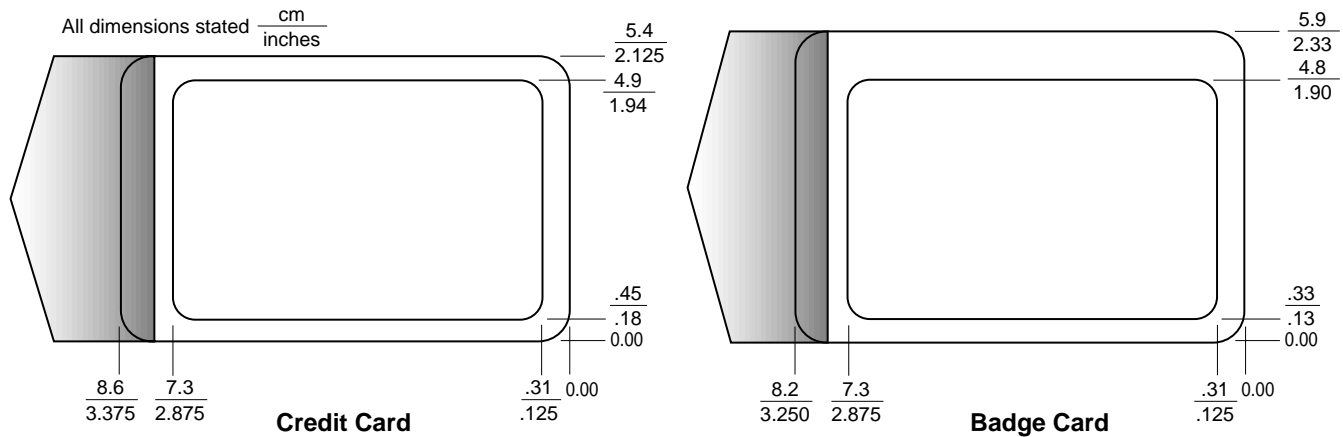
Photo ID Wiegand Access Card

The Photo ID Wiegand Access Card combines HID's proprietary Wiegand technology and photo identification on a single card. The Photo ID Wiegand card provides a solution for companies desiring to use one card to take advantage of Wiegand technology supplemented by photo ID.

The Photo ID Wiegand card accepts either Polaroid film prints or video image prints. It is available in either credit card or badge sizes.

The Photo ID Wiegand card is another example of HID's long-term commitment to responding to the needs of the access control marketplace.





Specifications

Dimensions:

Credit Card: 3.375" x 2.125" x 0.055"
(8.57 x 5.40 x 0.14 cm)

Badge Card: 3.25" x 2.33" x 0.055"
(8.26 x 5.92 x 0.14 cm)

Code strip layout options:

- A long edge/right side
- A1 long edge/left side
- D short edge

Card construction:

The Photo ID Wiegand card is a vinyl or polyester/vinyl card with a concealed Wiegand code strip and an aperture dimensioned to accept Polaroid ID-3 photo identification prints or equivalent. Protective flaps are attached on one or both sides for user lamination.

Operating temperature:

-40° to 158° F (-40° to 70° C)

Operating humidity:

10 to 95%

Weight:

Credit card: .21 oz. (6.0 gm)

Badge card: .27 oz. (7.7 gm)

Part Numbers

Style No.: 12 Credit card polyester/vinyl
17 Credit card all vinyl
18 Badge card all vinyl

Description: Polaroid Laminate, HID Artwork, Custom Specified Internal/External ID Numbers

Options:

- Front or Back Aperture
- Slot Punch
- Custom Graphics
- External Card Numbering

(Please see "How to Order" guide for a description of the options and associated part numbers.)

Features

Proven, reliable technology: The Photo ID Wiegand card is used in applications throughout the world, from airport access control to hospitals and major universities where the combination of Wiegand and photo ID are preferred.

Thin: Carry it with your credit cards in your wallet or purse.

Cross-reference: A cross-reference list correlating the external card number and the programmed ID number is provided for easy system administration.

Security: The Photo ID Wiegand card offers over one trillion unique Wiegand codes.

Long life: Photo ID Wiegand cards provide an infinite number of Wiegand reads.

Durability: Photo ID Wiegand cards are strong and flexible for resistance to breaking.

Custom graphics: Custom multi-color graphics are available on the non-aperture side of the card.

Warranty:

The Photo ID Wiegand cards are provided with a two-year warranty against defects in materials and workmanship. (See complete warranty policy for details.)

Specifications subject to change without notice.

LITPHIDDS 8/97

Printed in the U.S.A.

© HID Corporation, 1997



333 State Street, North Haven, Connecticut 06473 U.S.A.
Tel: (203) 287-9000 (800) 243-2563 Fax: (203) 407-5967
Internet Address: <http://www.prox.com>