



# IQL85 Explosionproof obstruction luminaire

**10 years operational warranty**

**Maintenance free with 100.000 hours**

**ATEX Category 2**



**II 2 GD EEx me II T4 T135°C**

**Certified for use in  
Zone 1 and Zone 21**



Article number	Voltage	Wattage	Lens	Version	Weight
85210120	230/240 V	85 W	Red borosilicate glass	E008116 junction box	8Kg
85110120	110/120 V	85 W	Red borosilicate glass	E008116 junction box	8Kg
85210121	230/240 V	85 W	Red borosilicate glass	E012129 junction box	9Kg
85110121	110/120 V	85 W	Red borosilicate glass	E012129 junction box	9Kg
85210122	230/240 V	85 W	Red borosilicate glass	With 8 metre cable	10Kg
85110122	110/120 V	85 W	Red borosilicate glass	With 8 metre cable	10Kg

## Applications:

- Chimney stacks
- Offshore platforms
- Cranes
- Transmission towers/Pylons
- Bridges

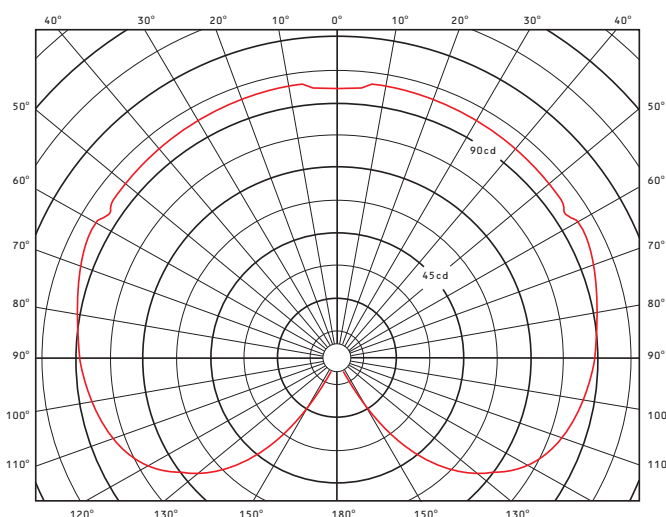
## Characteristics:

- Luminaire sealed for life
- Patented system is based on the induction principle
- Light output in accordance with ICAO specifications (after 60.000 hours, > 70 candela)
- Borosilicate glass protection
- Lens colour red
- High vibration resistance
- Standard voltage 230/240VAC/DC 50/60Hz
- Ambient temperature range -40°C to +40°C
- Immediate ignition and re-ignition
- Housing made from stainless steel 316L
- Ingress protection IP66
- Standard version supplied with junction box and suitable for single phase looping

## Options:

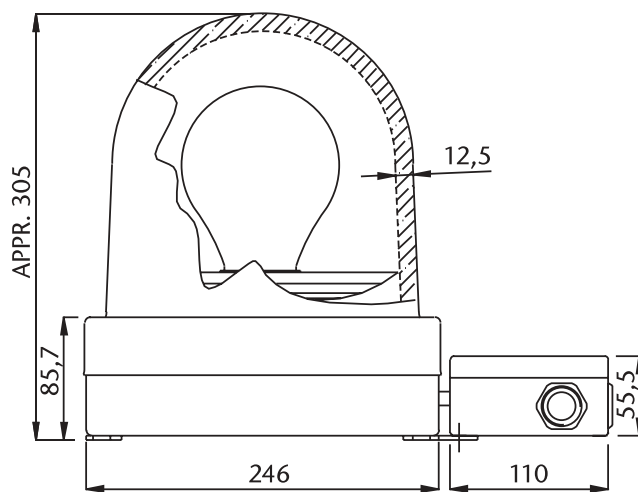
- Flying lead instead of junction box
- 110VAC and DC
- Industrial version
- Bird spike
- Larger junction box E012129 dimensions: 122x120x90
- Earth continuity plates

## Light distribution curve

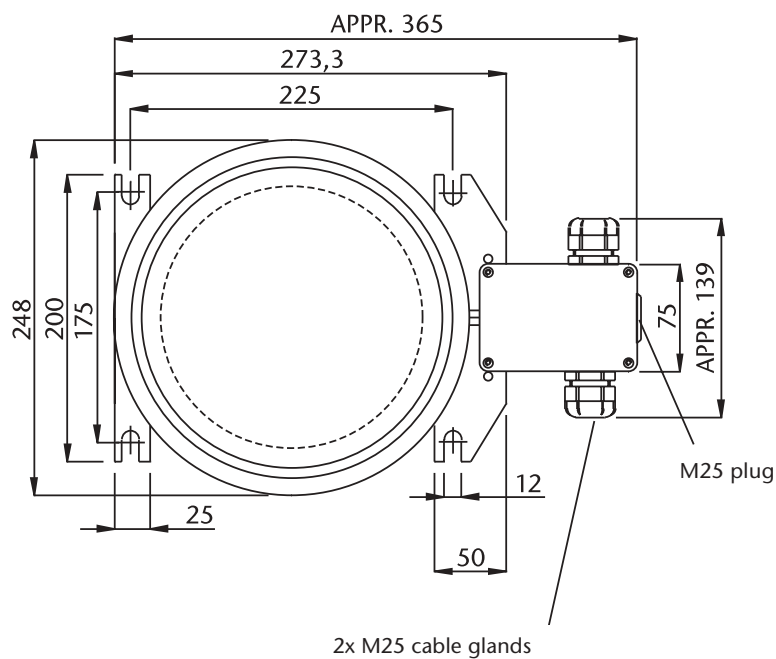


# IQL85 Explosionproof obstruction luminaire

Side elevation



Plan



terminals suitable for 4mm<sup>2</sup>

