



IQL85 Explosionproof high bay lighting

10 years operational warranty

Maintenance free with 100.000 hours

ATEX Category 2



II 2 GD EEx me II T4 T135°C

Certified for use in Zone 1 and Zone 21



Article number	Voltage	Wattage	Lens	Version	Weight
85213200	230/240 V	85 W	Clear borosilicate glass	E008116 junction box	9Kg
85113200	110/120 V	85 W	Clear borosilicate glass	E008116 junction box	9Kg
85213201	230/240 V	85 W	Clear borosilicate glass	E012129 junction box	10Kg
85113201	110/120 V	85 W	Clear borosilicate glass	E012129 junction box	10Kg
85213202	230/240 V	85 W	Clear borosilicate glass	With 8 metre cable	11Kg
85113202	110/120 V	85 W	Clear borosilicate glass	With 8 metre cable	11Kg

Applications:

- Warehouses
- Workshops
- Production areas in hazardous environments

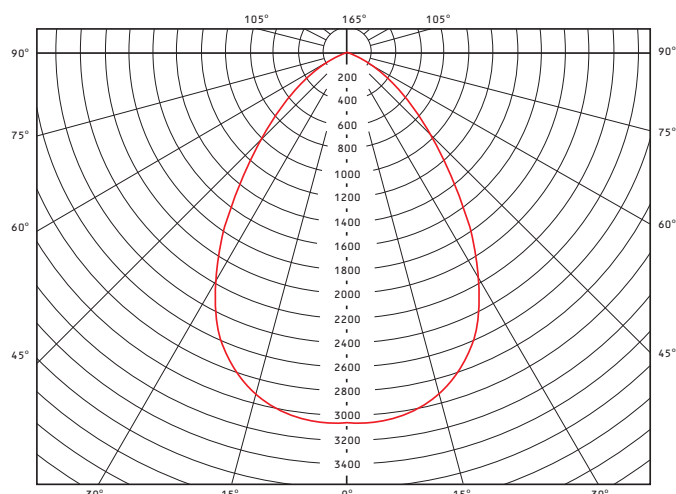
Characteristics:

- Luminaire sealed for life
- Patented system is based on the induction principle
- Housing made from stainless steel 316L
- Borosilicate glass protection
- Reflector made from anodised aluminium
- High colour rendering Ra >80
- High vibration resistance
- Standard voltage 230/240VAC/DC 50/60Hz
- Ambient temperature range -40°C to +40°C
- Immediate ignition and re-ignition
- Ingress protection IP66
- Power factor >0.9
- Standard version supplied with junction box and suitable for single phase looping

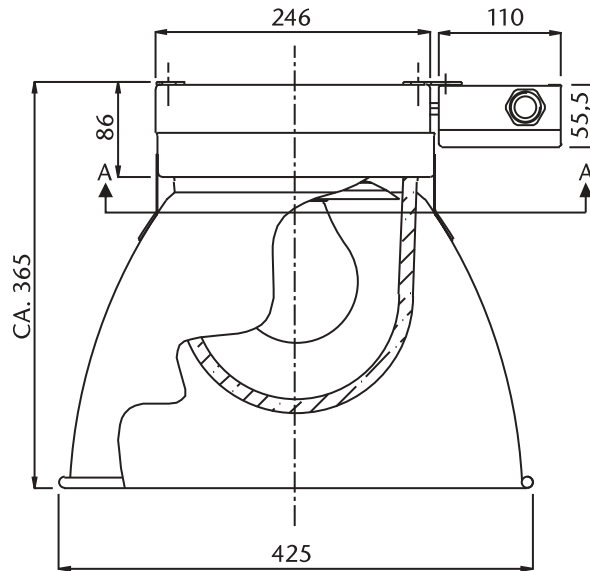
Options:

- Flying lead instead of junction box
- 110VAC and DC
- Industrial version in IP20 or IP54
- 3-phase with neutral looping
- Larger junction box E012129 dimensions: 122x120x90
- Earth continuity plates

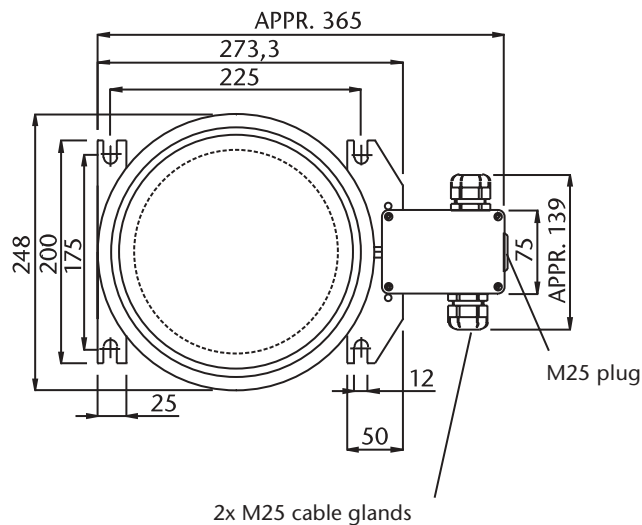
Light distribution curve



IQL85 Explosionproof high bay lighting



Side elevation



Plan

terminals suitable for 4mm²

