

# 422 - 422 PED.

# FAAC

## hydraulic actuator

for residential and light commercial swing-leaf gates  
with single leaf length of 1.8 m (422 CBC-CBCS-CBAC-CBACS) and 3 m (422 SB-SBS)  
single pedestrian leaf with length from 0.8 m to 1.2 m (422 PED CBC-SB)



### HIGHLY VERSATILE

The wide range of FAAC 422 offers different options: with or without hydraulic locking for swing-leaf gates in four models from 1.2 to 3 metres in length per leaf, and for pedestrian gates in two models from 0.8 to 1.2 metres.

### MAXIMUM SAFETY

The exclusive hydraulic device, ensuring maximum anti-crushing protection, features two highly sensitive by-pass valves. In case of an emergency, the customised release key and a special ergonomic release makes it possible to operate the gate manually.

### LOW NOISE AND RELIABILITY REQUIRING LITTLE SPACE

Few components and the use of hydraulic oil as motor fluid are the secrets ensuring very quiet movement and reliability under all atmospheric conditions and in an outdoor temperature range of -40°C to +55°C.

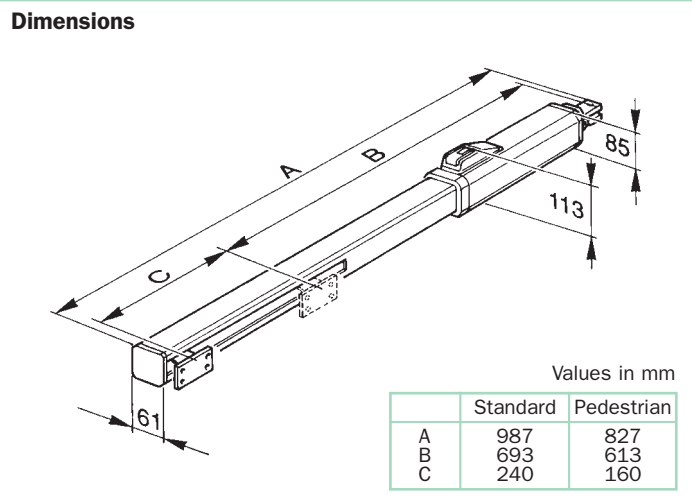
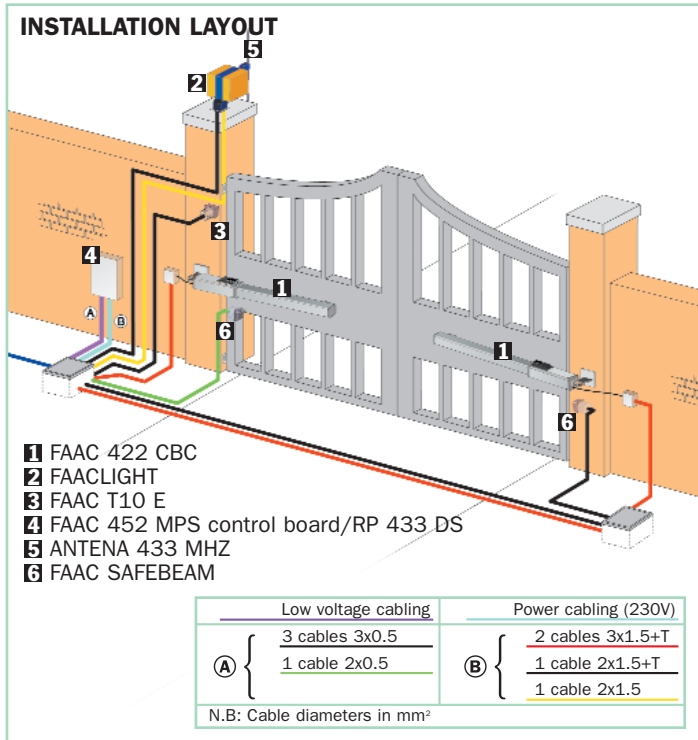
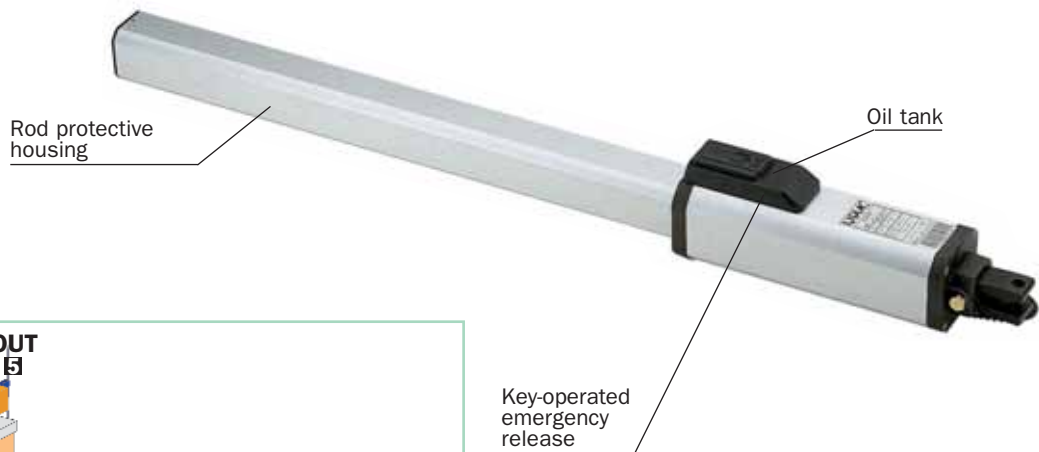
### FAAC QUALITY GUARANTEED THROUGH TIME

On top of the undisputed advantages of FAAC's hydraulic system, there is also corrosion proof coating highly resistant to atmospheric agents with guaranteed long-life.

### SPECIFICATIONS

Hydraulic actuator with piston for swing-leaf gates • Models available with hydraulic locking in closed position, open and closed position, and without any locking • Models suitable for max leaf length up to 3.0 m • Max use frequency 55 cycles/hour • Pillar installation • Leaf opening inwards or outwards • Max opening angle 110° • Max traction/thrust force of 690 daN • Rod speed 1 cm/s • Rod effective stroke 240 mm • Electric motor power supply 230 Vac (+6% -10%) - 50(60) Hz • Electric motor power 220 W • Thermal protection at 120°C built into motor winding • Overall dimensions 987x90x85 mm (LxWxH) • Protection class IP55 • Operating ambient temperature -40°C ÷ +55°C • Built-in release device with customised key • Single-phase motor with two rotation directions (1.400 rpm) • Hydraulic gerotor pump (max low noise) • Pressure die-cast distribution flange • Separate control of opening and closing force by by-pass valves with tamper-proof plate • Rod in stainless steel • Fastening to front fitting by ball joint • Tank and piston protective housing in anodised aluminium • Air breather screw • Mineral hydraulic oil with additives • **Models for pedestrian gates** • Leaf length from 0.8 to 1.2 m • Use frequency of 70 cycles/hour • Max traction/thrust force of 380 daN • Rod extension speed 2 cm/s • Pump flow rate 1.5 l/min • Rod effective stroke 160 mm

# 422 - 422 PED.



Technical specifications	422 CBC	422 CBAC	422 SB	422 CBCS	422 CBACS	422 SBS	422 PED. CBC	422 PED. SB
Power supply	230 Vac (+6% -10%) 50 (60) Hz							
Absorbed power	220 W							
Absorbed current	1 A							
Motor rotation speed	1400 rpm							
Rod extension speed	1,3 cm/s			1 cm/s		2 cm/s		
Pump flow rate	1 l/min			0,75 l/min		1,5 l/min		
Traction and thrust force	0÷500 daN			0÷690 daN		0÷380 daN		
Operating ambient temperature	-40°C ÷ +55°C							
Thermal protection on motor winding	120°C							
Weight	7 kg							
Type of oil	FAAC HP OIL							
Protection class	IP 55							

Model	Use	
	Single leaf max length (m)	Use frequency (cycles/hour)
<b>422 CBCS</b>	1,80	55
<b>422 CBACS</b>	1,80	55
<b>422 SBS</b>	3,00	55
<b>422 CBC</b>	1,80	55
<b>422 CBAC</b>	1,80	55
<b>422 SB</b>	3,00	55
<b>422 PED. CBC</b>	1,20 (min 0,80)	70
<b>422 PED. SB</b>	1,20 (min 0,80)	70

For the control panels, please refer to the relevant brochures.



FAAC S.p.A. via Benini, 1  
40069 Zola Predosa - Bologna (Italia)  
tel. +39 051 61724 • fax +39 051 758518  
www.faacgroup.com

