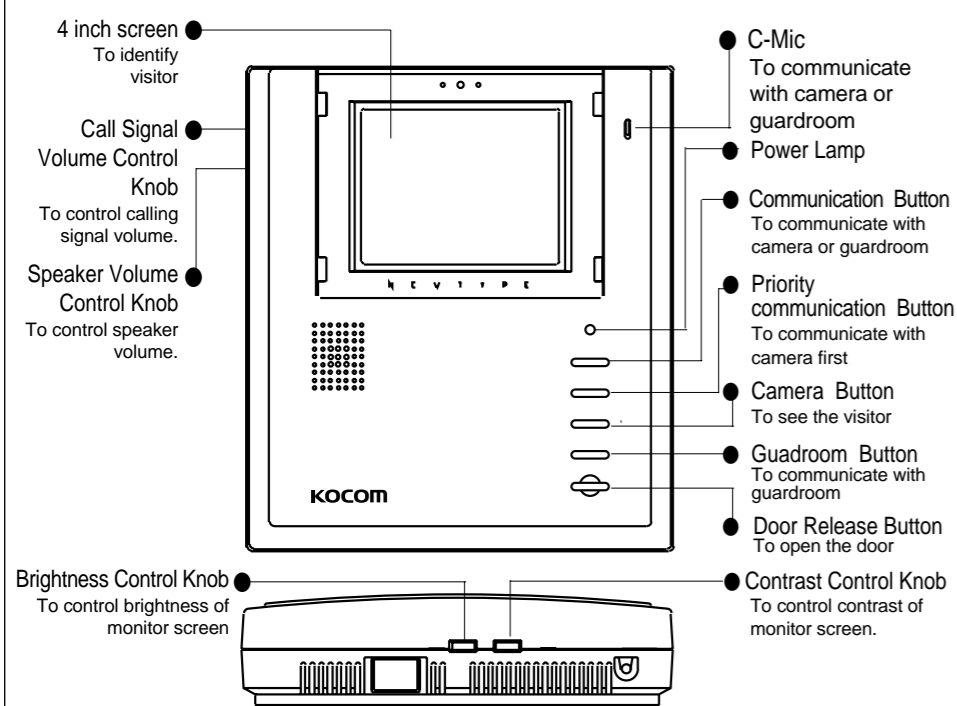
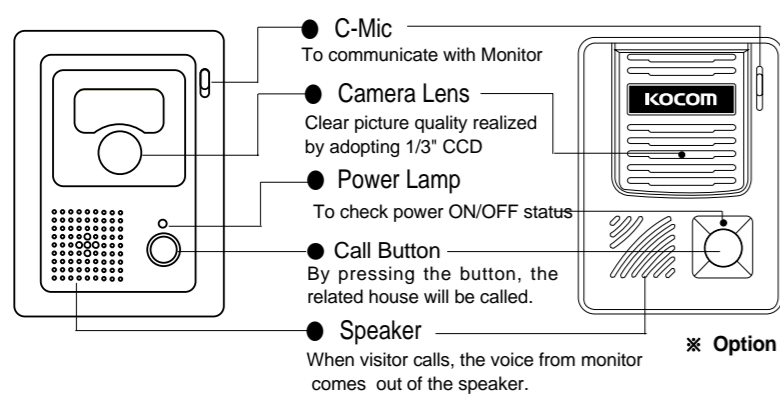


Name of each part

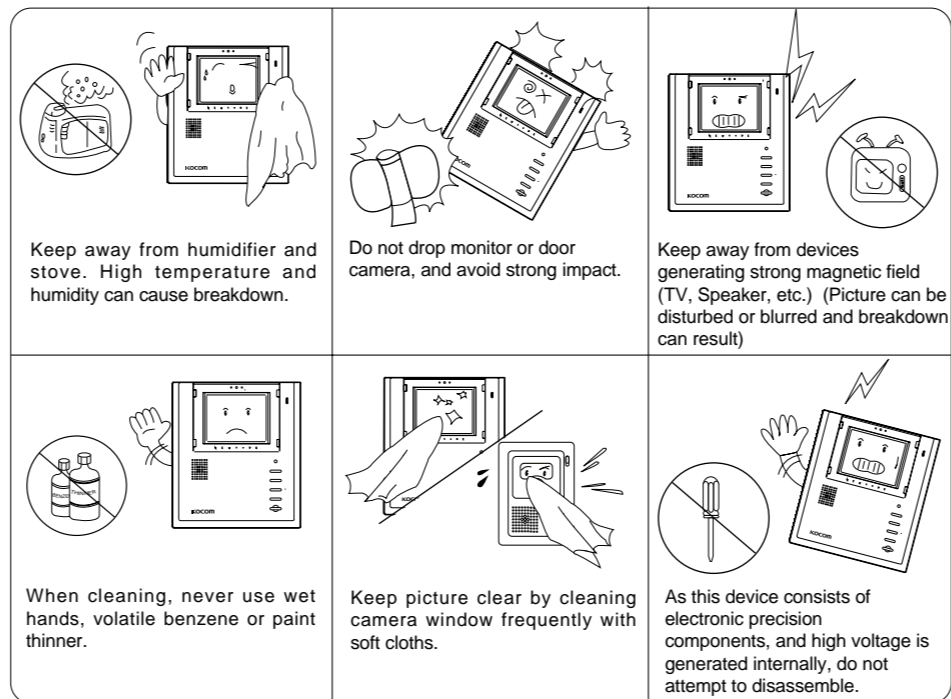
KIV-101 Monitor



KC-C61 Camera & KC-D30 Metal Pinhole Camera



Precautions for Operation

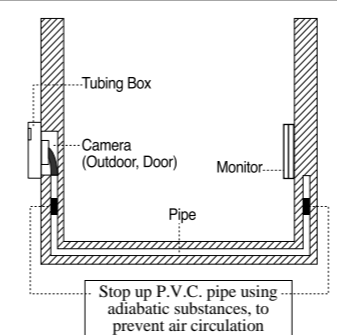


WARNING To Reduce the risk of fire or electric shock Do not expose this appliance to rain or moisture

CAUTION To prevent electric shock, match wide blade of plug to wide slot, full insert.

Installation Precautions

- Monitor and camera must be installed away from direct light and counter light.
- Camera must be installed at a place free from rain.
- Standard height of monitor must be 1,450mm~1,500mm from ground, centered around brawn tube.
- Camera should be installed on the wall in which cement is completely dry.
- If installed during winter season at temperature below -5°, condensation might be generated inside monitor and camera due to temperature difference between indoors and outdoors. To prevent breakdown due to such condensation, connection should be made in 2 hours or more after installation.
- Do not install monitor and camera in locations subject to direct heating as harmful gases may subsequently be emitted in significant amounts.

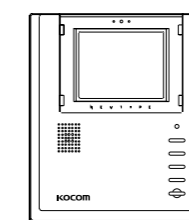


※ Stopping up pipe as above minimizes temperature difference between indoors and outdoors, and also eliminates moisture and condensation on door camera window.

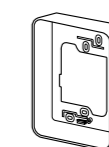
notice Don't install the set on a weak or ceiling surface such as plaster or press board, please install the set on the hard wall or ceiling like firm timber or concrete.

Component

Monitor & Camera



Camera Accessories

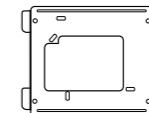


• Main body supporter



• Upward adjusting supporter for adjusting lens angle upward

Monitor Accessories



• Wall hanger panel

• Screws for fixing (4x25mm)

• Screw for fixing camera to panel (2.6x6mm)

• Screw for fixing camera main body supporter (4x25mm)

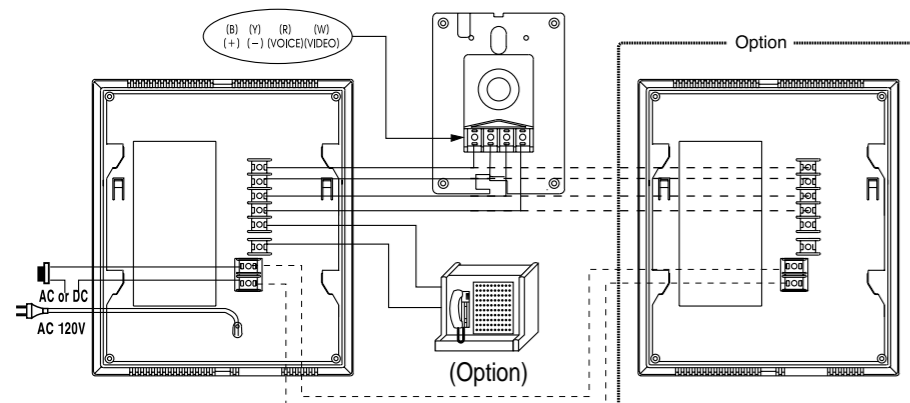
• Upward adjusting supporter for adjusting lens angle upward

Specifications

MONITOR (KIV-101)	Power source	Power Built-in AC 120V 60Hz	
	Power consumption	Max.15W, Stand by : 1W	
	Ambient temperature	0°C~+50°C	
	Braun tube	4 inch Flat Tube (B/W)	
	Communication system	Hands-free system	
	Call signal sound	Camera:Ding-dong, guardroom: Melody	
CAMERA (KC-C61)	Output Impedance	Picture : 75ohm, Voice : 600ohm	
	Wiring	4 Wired in polarity / guardroom Wired in non-polarity	
	Max Wiring Distance	Camera:φ 0.65 Single Cable/50m	Guardroom:IV 0.9mm
		KC-C61	KC-D30
	Power source	DC12V±1V(power from Monitor)	
	Ambient temperature	-10°C~50°C	
Metal Pinhole Camera (KC-D30)	Angle of picture	Diagonal 120°	Diagonal 90°
	Min. Illumination	0.1Lux (LED ON)	
	Lens	F:2.0, f=3.0mm	F:3.5, f=3.8mm
	Dimension	95(W)×127(H)×34(D)mm	95(W)×127(H)×33(D)mm

Video Doorphone Wiring Diagram

Wiring Diagram

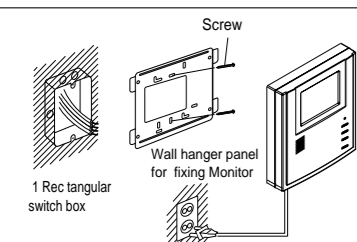


Caution for wiring

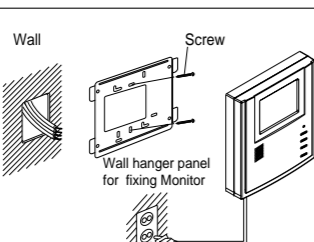
- Wiring between videophone and camera is 4 wire in polarity and use φ 0.65mm or more single cable
- Connecting wiring between monitor and door camera should not be installed near other electrical cable, nor be horizontal.(In such case, clear picture can not be expected due to interruption by electrical noise)

Monitor Installation

When system is attached to 1 rectangular switch box

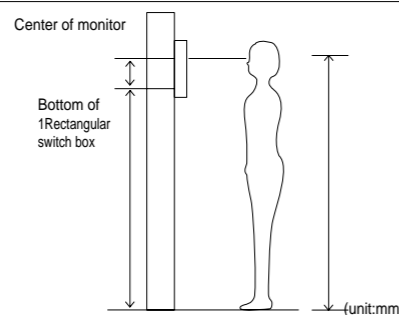


Basic Installation method of Monitor



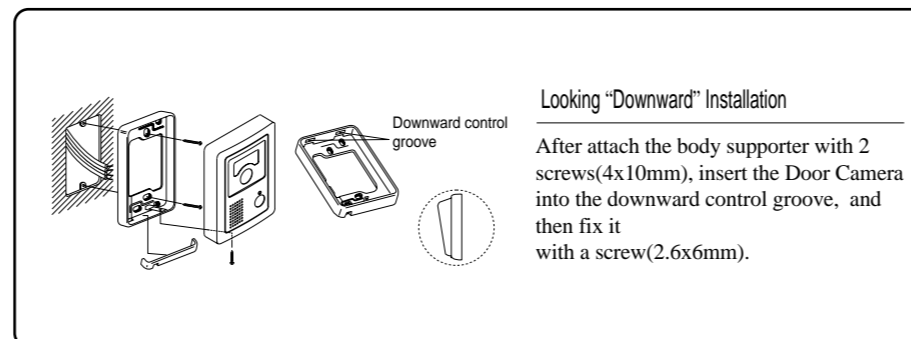
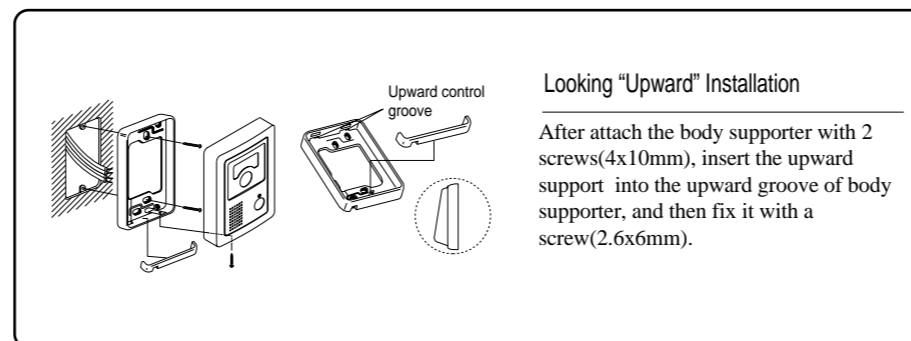
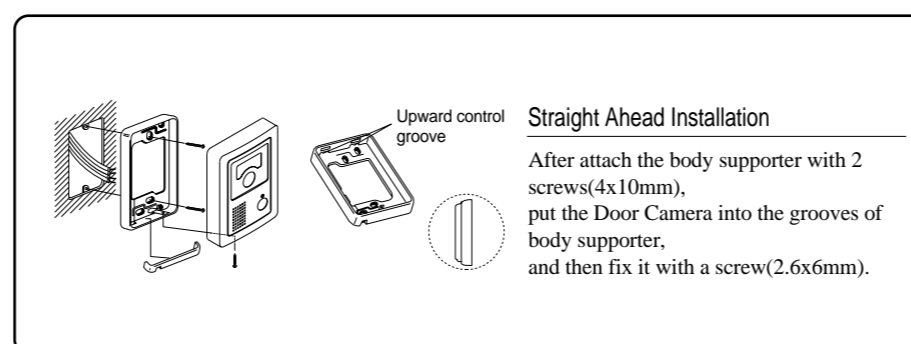
Standard height monitor

- Standard height of monitor is ranged 1,450 ~ 1,500 from bottom to the center of monitor screen.
- For installation, avoid the places where there is any excessive humidity, magnetic force, dangerous chemicals, direct ray of sun, and any places near a heater which can cause break down.

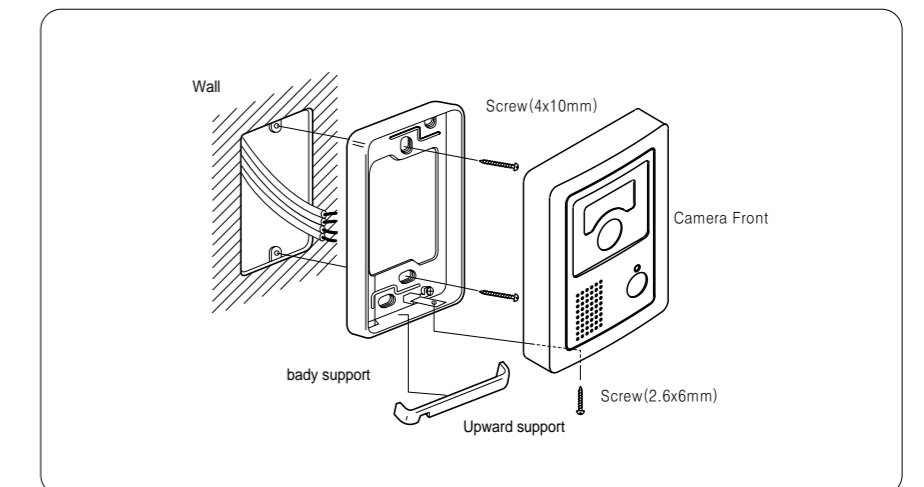


Door camera Installation

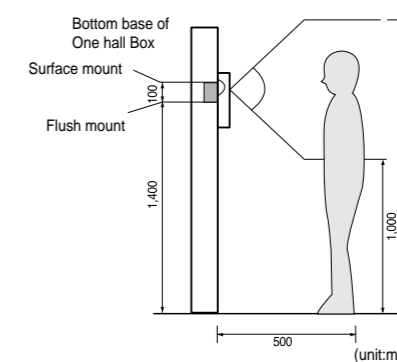
Surface-mounting Door Camera Installation



DOOR CAMERA INSTALLATION



Standard Height of Door Camera



- Standard height of the door camera is 1,400mm ~ 1,450mm from the bottom of one camera to the floor.

- In case that the height of Door camera exceeds the range of min. 1,250mm~1,550mm, it is impossible to control the screen picture with only the lens angle, and therefore, be careful of the height of camera installation.

Warranty



To receive after-Sale service, have the following ready when you contact our branches

1. Name of the product
2. Model number of the product
3. The area of problem
4. Phone number and address at which you can be contacted.

Warranty Card

PRODUCT	
MODEL	
DATE PURCHASED	
WARRANTY PERIOD	
AGENCY ADDRESS	

■ KOCOM Warranties the original purchaser of this product as follows.

- 1) This product is produced under strict quality control and inspection procedures.
- 2) If this product breaks down during proper use as a result of product defect, KOCOM will repair it within one year from date of purchase free of charge.
- 3) The following cases will be subject to charge, even during warranty period:
 - a. Breakdown during transport, or through careless treatment, by consumer.
 - b. Breakdown cause by unauthorized repair, or system modification.
 - c. Breakdown caused by natural disaster or power disorder.

This manual is based on the date as shown in the right and specifications are subject to change without notice for quality improvement.

KIV-101 03.04

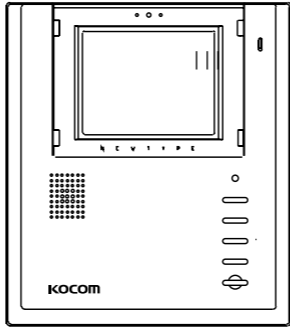
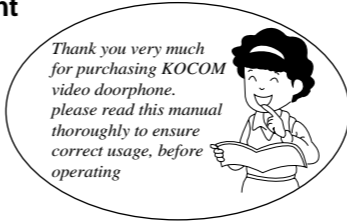
KOCOM®

HANDS-FREE VIDEOPHONE

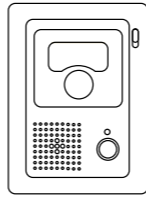
KIV-101 Operating Installation Manual

Clear & Bright Picture at Low Light

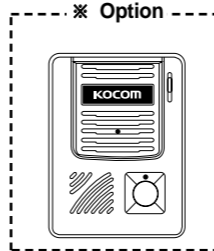
- 4" Flat Monitor
- 4 Wired
- Easy Installation
- Slim Size Camera
- Wide view angle
KC-C61 (120°)
KC-D30 (90°)
- Hands-free System



KIV-101



KC-C61



Metal Pinhole Camera
KC-D30

KOCOM CO.,LTD.

www.kocom.co.kr
e-mail:export@kocom.co.kr
www.kocominc.com(us)
e-mail:sales@kocominc.com(us)

How to operate (Instruction for operating)

- Call from visitor
 - 1.When visitor presses call button of door camera, the ding-dong sound is made from monitor and visitor image appears in the screen of the monitor.
 - 2.After checking the visitor through the screen, press communication button then you can communicate with visitor. (The screen of the monitor is automatically off after 3 minutes.)
 - 3.When the conversation is finished with visitor, press communication or camera button, then screen is off. And you can press door release button in order to open the door automatically.

- 4.If you want to check the outside, press camera button then the screen is on and you can check outside. (But you cannot communicate with camera. If you want to communicate with camera, press communication button.)

※ Instruction for the priority communication button (It is only available with the communication through camera)

The function of priority communication button is to send the voice from the monitor to camera in priority.

Ex) In case the voice from monitor to camera is not heard well and clearly due to the heavy noise outside, press this priority communication button, then the visitor can hear the voice from the monitor well and clearly.

- Communication with guardroom

1. In case the monitor is connected to the guardroom, if you press the guardroom button, the signal is made and if the person in guardroom answers, you can communicate. And after conversation with guardroom, you can press this button again stop to communication.

- 2.While you communicate with guardroom, if the chime sound from the camera is made the screen is on, then you can check the visitor. (The screen is on for 30 seconds and automatically off) At this time, if you press camera or communication button, the communication with guardroom is ended and you can communicate with the visitor through the camera.

- 3.While you communicate with the visitor through camera, if the call from guardroom is made, the melody sound is ringing. And you can communicate with guardroom by pressing guardroom or communication button after finishing the communication with visitor.

※ Note : please certainly press guardroom button after finishing the communication with guardroom.

CAUTION : Changes or modifications not expressly approved by the manufacturer responsible for compliance could void the user's authority to operate the equipment.

-Consult the dealer or an experienced radio/TV technician for help.
-Connect the equipment into an outlet on a circuit different from that to which the receiver is connected.

-Increase the separation between the equipment and receiver.

-Reorient or relocate the receiving antenna.

This equipment generates, uses and can radiate radio frequency energy and, if not installed and used in accordance with the instructions, may cause harmful interference to radio communications. However, there is no guarantee that interference will not occur in a particular installation. If this equipment does cause harmful interference to radio or television reception, which can be determined by turning the equipment off and on, the user is encouraged to try to correct the interference by one or more of the following measures:

NOTE: This equipment has been tested and found to comply with the limits for a Class B digital device, pursuant to part 15 of the FCC Rules. These limits are designed to provide reasonable protection against harmful interference in a residential installation.

Class B device

25. Heat - The product should be situated away from heat sources such as radiators, heat registers, stoves, or other products (including amplifiers) that produce heat.

24. Wall or Ceiling Mounting - The product should be mounted to a wall or ceiling only as recommended by the manufacturer.

23. Safety Check - Upon completion of any service or repairs to this product, ask the service technician to perform safety checks to determine that the product is in proper operating condition.

22. Replacement Parts - When replacement parts are required, be sure the service technician has used replacement parts specified by the manufacturer or have the same characteristics as the original part. Unauthorized substitutions may result in fire, electric shock, or other hazards.

F. When the product exhibits a distinct change in performance - this indicates a need for service.

E. If the product has been dropped or damaged in any way.

operation.

D. If the product does not operate normally by following the operating instructions. Adjust only those controls that are covered by the operating instructions as an improper adjustment or other controls may result in damage and will often require extensive work by a qualified technician to restore the product to its normal operation.

C. If the product has been exposed to rain or water.

9. A product and cart combination should be moved with care. Quick stops, excessive force, and uneven surfaces may cause the product and cart combination to overturn.

Instructions, and should use a mounting accessory recommended by the manufacturer.

8. Accessories - Do not place this product on an unstable cart, stand, tripod, bracket, or table. The product may fall, causing serious injury to a child or adult, and serious damage to the product. Use only with a cart, stand, tripod, bracket, or table recommended by the manufacturer. Any damage to the product should follow the manufacturer's instructions.

7. Water and Moisture - Do not use this product near water^①-for example, near a bath tub, wash bowl, kitchen sink, or laundry tub, in a wet basement, or near a swimming pool; and the like.

6. Attachments - Do not use attachments not recommended by the product manufacturer as they may cause hazards

5. Cleaning - Wiping this product from the wall outlet before cleaning. Do not use liquid cleaners or aerosol cleaners. Use a damp cloth for cleaning.

4. Follow Instructions - All operating and use instructions should be followed.

3. Heed Warnings - All warnings on the product and in the operating instructions should be adhered to.

2. Retain Instructions - The safety and operating instructions should be retained for future reference.

1. Read Instructions - All the safety and operating instructions should be read before the product is operated.

Safeguard

POUSSER JUSQU'AU FOND.

LAME LA PLUS LARGE DE LA FICHE DANS LA BORNE CORRESPONDANTE DE LA PRISE ET
CAUTION: TO PREVENT ELECTRICAL SHOCK, MATCH WIDE BLADE OF PLUG TO WIDE
SLOT, FULLY INSERT / ATTENTION: POUR VITER LES CHOCS ELECTRIQUES, INTRODUIRE LA

on the hard wall or ceiling like firm timber or concrete. Please install the set
Notice: Don't install the set on a weak or ceiling surface such as plaster or press board.

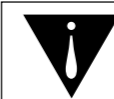


The exclamation point within an equilateral triangle, is intended to alert the user to the presence of important operating and maintenance (Service/Instructions) in the literature accompanying the appliance.

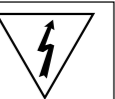


The lightning flashwith arrowhead symbol, within an equilateral triangle, is intended to alert the user to the presence of 'uninsulated' dangerous voltage' with in the product's enclosure that may be of sufficient magnitude as to risk of electric shock to persons.

CAUTION : TO REDUCE THE RISK OF ELECTRIC SHOCK DO NOT REMOVE COVER OR
BACK) NO USER-SERVICEABLE PARTS INSIDE. REFER SERVICE TO QUALIFIED
SERVICE PERSONNEL



CAUTION
RISK OF ELECTRIC SHOCK
DO NOT OPEN



11. Power Sources - This product should be operated only from the type of power source indicated on the marking label. If you are not sure of the type of power supply to your home, consult your product dealer or local power company. For products intended to operate from battery power, or other sources, refer to the operating instructions.

10. Ventilation - Slots and openings in the cabinet are provided for ventilation and to ensure reliable operation of the product and protect it from overheating, and these openings must not be blocked or covered. The openings should never be blocked by placing the product on a bed, sofa, rug, or other similar surface. This product should not be placed in a built-in installation such as a bookcase or rack unless proper ventilation is provided or the manufacturer's instructions have been adhered to.

12. Grounding or Polarization - This product may be equipped with a polarized alternating-current line plug (a plug having one blade wider than the other). This plug will fit into the power outlet only one way. This is a safety feature. If you are unable to insert the plug fully into the outlet, try reversing the plug. If the plug should still fail to fit, contact your electrician to replace your obsolete outlet. Do not defeat the safety purpose of the polarized plug.

Alternate Warnings - This product is equipped with a three-wire grounding-type plug, a plug having a third (grounding) pin. This plug will only fit into a grounding-type power outlet. This is a safety feature. If you are unable to insert the plug into the outlet, contact your electrician to replace your obsolete outlet. Do not defeat the safety purpose of the grounding-type plug.

14. Protective Attachment Plug - The product is equipped with an attachment plug having overload protection. This is a safety feature. See Instruction Manual for replacement or resetting of protective device. If replacement of the plug is required, be sure the service technician has used a replacement plug specified by the manufacturer that has the same overload protection as the original plug.

15. Outdoor Antenna Grounding - If an outside antenna or cable system is connected to the product, be sure the antenna or cable system is grounded so as to provide some protection against voltage surges and built-up static charges. Article 810 of the National Electrical Code, ANSI/NFPA 70, provides information with regard to proper grounding of the mast and antenna-discharge unit, connection to grounding electrodes, and requirements for the grounding electrode.

16. Lightning - For added protection for this product during a lightning storm, or when it is left unattended and unused for long periods of time, unplugging it from the wall outlet and disconnect the antenna or cable system. This will prevent damage to the product due to lightning and power-line surges.

17. Power Lines - An outside antenna system should not be located in the vicinity of overhead power lines or other electric light or power circuits, or where it can fall into such power lines or circuits. When installing an outside antenna system, extreme care should be taken to keep from touching such power lines or circuits as contact with them might be fatal.

18. Overheating - Do not overload wall outlets, extension cords, or integral convenience receptacles as this can result in a risk of fire or electric shock.

19. Object and Liquid Entry - Never push objects of any kind into this product through openings as they may touch dangerous voltage points or short-out parts that could result in a fire or electric shock. Never spill liquid of any kind on the product.

20. Servicing - Do not attempt to service this product yourself as opening or removing covers may expose you to dangerous voltage or other hazards. Refer all servicing to qualified service personnel.

21. Damage Requiring Service - Unplugging this product from the wall outlet and refer servicing to qualified service personnel under the following conditions:
A. When the power-supply cord or plug is damaged.
B. If liquid has been spilled, or objects have fallen into the product.