



Topper pan & tilt



- | | |
|---------------------------------------|---|
| Strong lightweight construction | Dual process heat treated gravity die cast aluminium casing |
| Highly reliable with minimal backlash | Precision turned and milled internal components with ball races on major axes |
| Built to last | Stainless steel fastenings |
| Weatherproof | 'O' rings and lip seals. IP rating 68 |
| Long operational life | Maintenance free, two year warranty |
| Easy to install | Simple external limit switch adjustment to 360 degrees travel |
| Universal mounting plate | Suitable for all housings |
| Continuous rotation option | Installation flexibility with quickest route to preset |
| Corrosion resistant finish | Colour options available |
| Regenerative braking | Aids rapid deceleration |

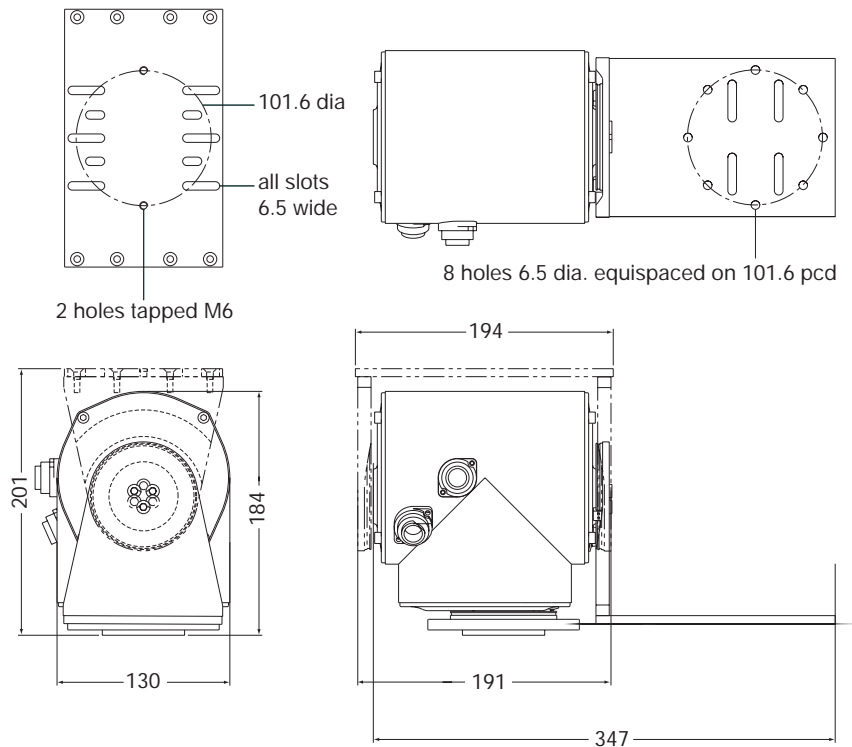




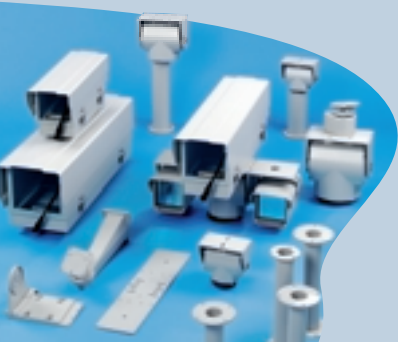
Topper pan & tilt

The topper range of pan and tilt heads consists of 230/24 V AC and 24 V DC units in both over the top and side mount configurations. The units are extremely compact, externally robust and aesthetically designed to an IP68 rating providing a rugged and stable mobile camera platform for use in most CCTV applications.

A fresh design approach has introduced a simple but effective limit switch facility and larger bearings with a broader spread to allow a much higher load capacity on side arm configurations. The gearbox has been designed to provide higher gear ratios which give lower speeds without costly modifications.



Dimensions (mm nominal)		Side mount	Over the top
Height		184	201
Width to platform face		183	183
Width to platform outer edge		347	N/A
Depth (without plugs)		130	130
Weight (kg)		< 6	< 6
Fixing centres	Base	4 holes tapped M6 on 4" (101.6) PCD plus 4 holes 6.35 Dia on 4" (101.6) PCD	
	Platform	4 holes 6.5mm dia. on 101.6mm (4") PCD/square 4 holes 6.35mm dia. on 101.6mm (4") PCD/diamond 4 slots, 6.35mm wide x 30mm long in pairs In line with camera axis	
Voltages		12, 24V DC, nominal, 24V AC, 110V AC, 240V AC	
Speeds (°/sec)		AC	DC
Pan		3, 6, 12	12, 32, 48, 58
Tilt		3, 6	12
Capacity		25 kg in side mounting configuration, any speed 16 kg in over the top configuration with lower speed gearboxes i.e. 32°/sec pan/12°/sec tilt	
Operational Angles (°)		Pan	Tilt
Side Mount		360	±180
Over the Top		360	-90 to +25
Backlash		Less than 0.15°	
Control cable		Mating connectors supplied	
Wiring & connectors		Pre-made cables can be supplied if required	
Recommended cable		16/0.2 (rated at 230v for AC version)	
House colour		Goose Grey, Textured, Semi Gloss (BS4800 00 A05)	
Maintenance		None required	
Temp. range (°C)		-20 to +50 Heater available	



Metham Aviation Design Limited
Station Approach, Four Marks, Alton
Hampshire GU34 5HN, UK

Tel: +44 (0)1420 565618. Fax: +44 (0)1420 565628
Email: info@madcctv.com Web: www.madcctv.com

