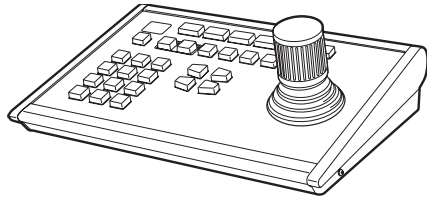




Installation/Operation

KBD300A
Universal Keyboard

C527M-L (3/04)



CONTENTS

Section	Page
IMPORTANT SAFETY INSTRUCTIONS	5
REGULATORY NOTICES	6
DESCRIPTION	7
INSTALLATION – CM6700 MODE	9
Connecting a Keyboard to the Local Keyboard Port	9
Connecting Keyboards to the Remote Keyboard(s) Port	9
INSTALLATION – CM6800 MODE	11
Connecting KBD300A Direct-Powered Keyboards	11
Connecting KBD300A Remote Keyboards	13
INSTALLATION – CM6700 ASCII MODE	15
RS-232 Interface (CM6700)	15
RS-422 Interface (CM6700)	17
INSTALLATION – CM6800 ASCII MODE	19
RS-232 Interface (CM6800)	19
RS-485 Interface (CM6800)	21
INSTALLATION – DIRECT MODE	24
Connecting the Keyboard	24
SWITCH SETTINGS	26
PROGRAMMING AND OPERATION	27
Scanning Functions	31
Programming Limit Stops	32
Zones	33
SPECIFICATIONS	34
PRODUCT WARRANTY AND RETURN INFORMATION	39

List of Illustrations

Figure	Page
1 Wiring Diagram for Local/Remote Keyboards	10
2 Keyboard Cabling Diagram	10
3 Data Cables Plugged into COM 5 and 6 (CM6800-48X8 Shown)	12
4 Connecting Remote Keyboards (CM6800-48X8 Shown)	14
5 RS-232 Interface Connections (CM6700)	16
6 RS-422 Interface Connections (CM6700)	18
7 RS-232 Interface Connections (CM6800-48X8 Shown)	20
8 RS-485 Interface Connections (CM6800-48X8 Shown)	22
9 COM Port Connections and RJ-45 Connector Pin-Outs	23
10 Direct Keyboard and Receiver Wiring	25
11 Keyboard Rear Panel	27
12 Keyboard Functions	30

List of Tables

Table	Page
A KBD300A Operational Features	8
B Keyboard Addresses	26
C Keyboard Modes	26
D Keyboard Functions	27
E KBD300A Button Functions	30
F Operating Scan Functions with Various Receivers	31
G Limit Set Codes	32
H Zone Programming Procedure	33

IMPORTANT SAFETY INSTRUCTIONS

- 1 Read these instructions.
- 2 Keep these instructions.
- 3 Heed all warnings.
- 4 Follow all instructions.
- 5 Do not use this apparatus near water.
- 6 Clean only with dry cloth.
- 7 Do not block any ventilation openings. Install in accordance with the manufacturer's instructions.
- 8 Do not install near any heat sources such as radiators, heat registers, stoves, or other apparatus (including amplifiers) that produce heat.
- 9 Only use attachments/accessories specified by the manufacturer.
- 10 Refer all servicing to qualified service personnel. Servicing is required when the apparatus has been damaged in any way, such as power-supply cord or plug is damaged, liquid has been spilled or objects have fallen into the apparatus, the apparatus has been exposed to rain or moisture, does not operate normally, or has been dropped.
- 11 Apparatus shall not be exposed to dripping or splashing and that no objects filled with liquids, such as vases shall be placed on the apparatus.
- 12 **WARNING:** To reduce the risk of fire or electric shock, do not expose this apparatus to rain or moisture.
- 13 Installation should be done only by qualified personnel and conform to all local codes.
- 14 Unless the unit is specifically marked as a NEMA Type 3, 3R, 3S, 4, 4X, 6, or 6P enclosure, it is designed for indoor use only and it must not be installed where exposed to rain and moisture.

CAUTION: These servicing instructions are for use by qualified service personnel only. To reduce the risk of electric shock do not perform any servicing other than that contained in the operating instructions unless you are qualified to do so.

Only use replacement parts recommended by Pelco.

REGULATORY NOTICES

This device complies with part 15 of the FCC Rules. Operation is subject to the following two conditions: (1) this device may not cause harmful interference, and (2) this device must accept any interference received, including interference that may cause undesired operation.

RADIO AND TELEVISION INTERFERENCE

This equipment has been tested and found to comply with the limits of a Class B digital device, pursuant to part 15 of the FCC rules. These limits are designed to provide reasonable protection against harmful interference in a residential installation. This equipment generates, uses, and can radiate radio frequency energy and, if not installed and used in accordance with the instructions, may cause harmful interference to radio communications. However there is no guarantee that the interference will not occur in a particular installation. If this equipment does cause harmful interference to radio or television reception, which can be determined by turning the equipment off and on, the user is encouraged to try to correct the interference by one or more of the following measures:

- Reorient or relocate the receiving antenna.
- Increase the separation between the equipment and the receiver.
- Connect the equipment into an outlet on a circuit different from that to which the receiver is connected.
- Consult the dealer or an experienced radio/TV technician for help.

You may also find helpful the following booklet, prepared by the FCC: How to Identify and Resolve Radio-TV Interference Problems. This booklet is available from the U.S. Government Printing Office, Washington D.C. 20402.

Changes and Modifications not expressly approved by the manufacturer or registrant of this equipment can void your authority to operate this equipment under Federal Communications Commissions rules.

DESCRIPTION

The KBD300A Universal Keyboard has many operational features (refer to Table A) and can be used in numerous operational modes:

CM6700 Mode: Program and operate the CM6700 Matrix Switcher/Controller Unit (SCU). Also control a Genex® multiplexer from a CM6700. Multiple keyboards can be used in this mode.

CM6800 Mode: Program and operate the CM6800 Matrix Switcher/Controller Unit (SCU). Also control a Genex multiplexer from a CM6800 SCU. Multiple keyboards can be used in this mode.

Direct P Mode: Control up to 16 receivers connected directly to the keyboard. A separate system, such as an MS500 or VA6100 Switcher, is needed to route video to the monitor.

NOTE: *The KBD300A keyboard can also be used in Direct Mode to program a CM9760-MDA Master Distribution Amplifier. Refer to the CM9760-MDA manual for details.*

NOTE: *The KBD300A keyboard has an auto-centering joystick. Be certain the joystick remains in the neutral (vertical) position as power is applied to the keyboard. **Do not** move or hold down the joystick until **after** the red digit LEDs have finished flashing the firmware revision.*

The latest firmware release (version 5.00) allows three additional modes:

CM6700 ASCII Mode: This mode supports the CM6700 matrix auxiliary commands. The F1, F2, and F3 keys control the CM6700-MXB relays that are on the matrix bay. To enable this mode, DIP switch 7 must be ON and DIP switch 8 must be OFF.

CM6800 ASCII Mode: This mode supports the CM6800 GPI commands. The F1, F2, and F3 keys control the relays on an REL2064 that is connected to a CM6800 switcher. To enable this mode, DIP switch 7 must be ON and DIP switch 8 must be ON.

Direct D Mode: This mode is similar to the Direct P Protocol, except that the same set of commands is now sent in Direct D Protocol. To enable Direct D mode, DIP switches 5 and 7 must be ON.

NOTE: *You must upgrade your KBD firmware to version 5.00 if the application requires you to select two-digit monitor numbers.*

Table A. KBD300A Operational Features

Function	CM6700/ CM6800	Direct P*	CM6700 ASCII**	CM6800 ASCII**	Direct D**
Automatically recognize the mode	Yes	Yes	No	No	No
Select cameras (control only for Direct Mode)	Yes	Yes	Yes	No	Yes
Select monitors	Yes	No	Yes	Yes	No
Control lenses	Yes	Yes	Yes	Yes	Yes
Set and call presets/patterns	Yes	Yes	Yes	Yes	Yes
Create Zones	Yes	No	Yes	No	Yes
Control latching receiver auxiliaries	Yes	Yes	Yes	Yes	Yes
Control momentary receiver auxiliaries	Yes	Yes	Yes	Yes	Yes
Control multiplexer (main monitor output for CM6700/6800 mode)	Yes	No	Yes	Yes	No
Control Matrix Switcher	Yes	No	Yes	Yes	No
Program Matrix Switcher	Yes	No	No	No	No
Sequencing	Yes	No	Yes	Yes	No
Operate frame, auto, and random scans	Yes	Yes	Yes	Yes	Yes
Program and operate patterns	Yes	Yes	Yes	Yes	Yes
Control CM6700 auxiliaries	Yes	No	Yes	No	No
Control CM6800 GPIs	Yes	No	No	Yes	No

*Firmware version 2.00 and higher

**Firmware version 5.00 and higher

INSTALLATION – CM6700 MODE

There are two keyboard ports on the CM6700 SCU.

The LOCAL KEYBOARD port is for connecting a single keyboard within a distance of 25 feet (7.6 meters).

The REMOTE KEYBOARD(S) port is for connecting additional remote keyboards.

Connecting a Keyboard to the Local Keyboard Port

- 1 Use the data cable that is supplied with the keyboard. Plug one end of the cable into the RJ-45 connector on the rear of the keyboard and the other end into the LOCAL KEYBOARD port on the SCU (refer to Figure 1). Set the keyboard switches according to the instructions in the *Switch Settings* section. Go to step 2 to install remote keyboards, or go to step 10.

Connecting Keyboards to the Remote Keyboard(s) Port

NOTE: A KBDKIT or KBDKIT-X is required for this application. The KBDKIT consists of two RJ-45 wall blocks and a 120 VAC to 12 VAC transformer. The KBDKIT-X is for 230 VAC. Use one KBDKIT for each keyboard.

Refer to Figures 1 and 2 for the following steps.

- 2 Decide on a suitable location for each keyboard and wall block. Keyboards must be within 25 feet (7.6 meters) of the wall block. Wall blocks must be within 6 feet (1.8 m) of the nearest suitable electrical outlet. Do not mount the wall block at this time.
- 3 Run wall block interconnect cable (user-supplied) from the SCU to the closest keyboard location, then to the next nearest location, and the next, etc.

Communication to the keyboards is RS-485. Maximum cable distance for RS-485 communication over 24-gauge wire is 4,000 feet (1,219 m). Pelco recommends using shielded twisted pairs cable that meets or exceeds the basic requirements for EIA RS-485 applications.
- 4 Remove the wall block cover and make cable connections at each wall block.
- 5 At each wall block, wire the transformer to pins 3 and 4. Polarity is unimportant.
- 6 Replace the cover on the wall block. Secure the wall block to a suitable surface. A double-sided sticky pad is provided to mount the wall block.
- 7 Set the switches for each keyboard according to the instructions in the *Switch Settings* section.
- 8 Plug in all keyboard data cables.
- 9 Plug the KBDKIT or KBDKIT-X transformer into a suitable outlet.
- 10 To initialize the keyboard, wait five seconds after powering-up the CM6700, enter the number for the monitor you are viewing (1-4), and press MON. The LED display shows the number entered.

NOTE: You must re-initialize whenever power is cycled.
- 11 Go to the *Programming and Operation* section and program and test for proper operation.

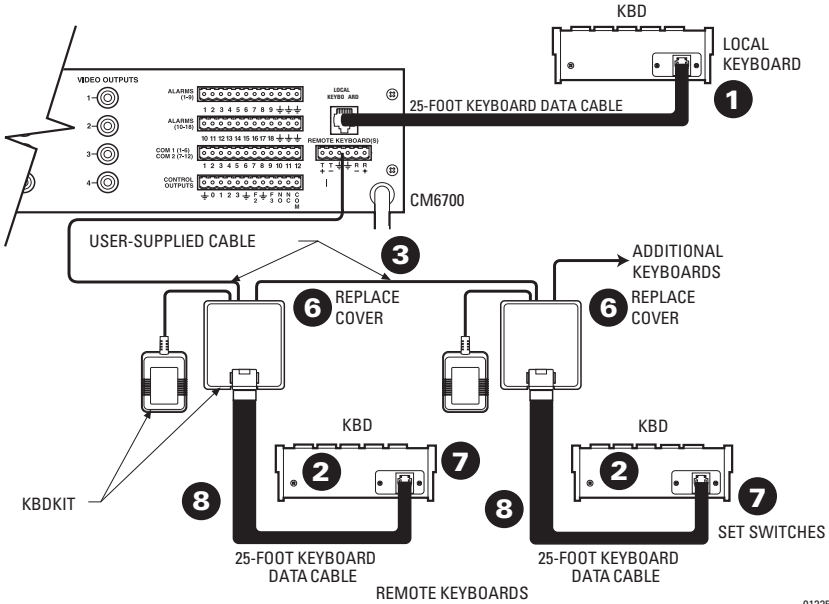


Figure 1. Wiring Diagram for Local/Remote Keyboards

01225

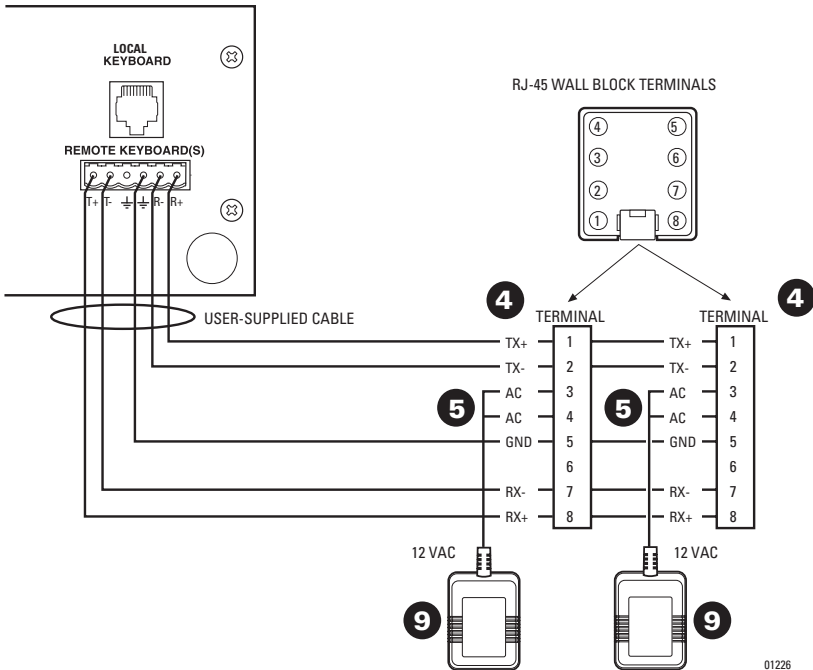


Figure 2. Keyboard Cabling Diagram

01226

INSTALLATION – CM6800 MODE

You can connect up to eight KBD300A keyboards to any of the following ports:

For the CM6800-48X8:

COM 5 (one direct-powered keyboard or up to eight remotely connected keyboards)

COM 6 (same as COM 5)

COM 7 (up to eight remotely connected keyboards)

COM 8 (same as COM 7)

The total number of KBD300A Series keyboards connected to the CM6800-48X8 cannot exceed 16.

For the CM6800-32X6:

COM 4 (up to eight remotely connected keyboards)

COM 5 (one direct-powered keyboard or up to eight remotely connected keyboards)

The total number of KBD300A Series keyboards connected to the CM6800-32X6 cannot exceed eight.

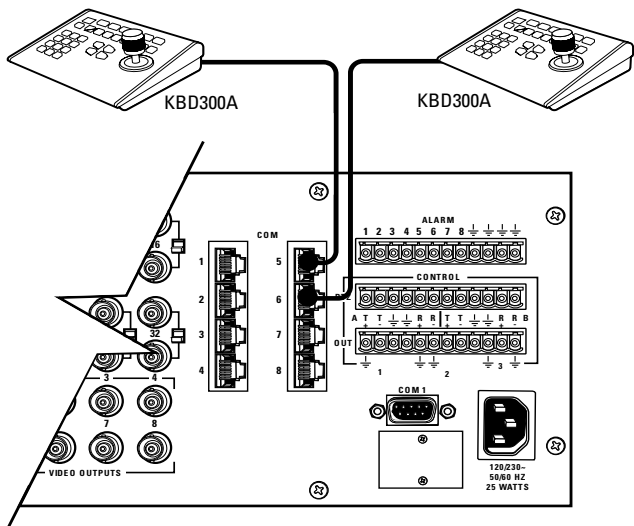
Connecting KBD300A Direct-Powered Keyboards

For direct-powered local keyboards, use COM 5 and 6 (serial ports 5 and 6) for the CM6800-48X8 and use COM 5 (serial port 5) for the CM6800-32X6. Each port can power one KBD300A keyboard. A KBDKIT(-X) is required if the distance between the CM6800 and the keyboard exceeds 25 feet (7.6 m).

Refer to Figure 3 (CM6800-48X8 shown).

- 1 Using the 25-foot (7.6 m) straight data cable supplied with the keyboard, plug one end into the RJ-45 connector on the rear of the keyboard. Plug the other end into either COM 5 or 6 on the CM6800-48X8 or COM 5 on the CM6800-32X6.
- 2 Set the keyboard switches according to the instructions in the *Switch Settings* section.
- 3 Go to the next section, *Connecting KBD300A Remote Keyboards*. Go to step 1 to install remote keyboards, or go to step 9.

MAXIMUM NUMBER OF KEYBOARDS POWERED BY COM 5 & 6: 1 PER PORT
 NOTE: THE TOTAL NUMBER OF KBD300A SERIES
 KEYBOARDS CONNECTED TO THE CM6800 CANNOT EXCEED 16.
 KBDKIT(-X) REQUIRED WHEN WIRING MORE THAN 1 KEYBOARD TO A PORT.



CM6800 COM 5 & 6 RJ-45 PIN-OUTS	KBD300A RJ-45 PIN-OUTS
1 Rx+ _____	1 Tx+
2 Rx- _____	2 Tx-
3 KBD 12V _____	3 12V
4 KBD GROUND _____	4 12V
5 GROUND _____	5 GROUND
6 NC _____	6 NC
7 Tx- _____	7 Rx-
8 Tx+ _____	8 Rx+

20108

Figure 3. Data Cables Plugged into COM 5 and 6 (CM6800-48X8 Shown)

Connecting KBD300A Remote Keyboards

For remote keyboard connections, use COM 5, 6, 7, or 8 for the CM6800-48X8 and COM 4 and 5 for the CM6800-32X6. Each port can support up to eight KBD300A keyboards. Do not exceed 16 total keyboards for the CM6800-48X8 and eight total keyboards for the CM6800-32X6.

A KBDKIT or KBDKIT(-X) is required to connect remote keyboards. Each kit contains two RJ-45 wall blocks and a transformer. Use one wall block for each keyboard.

Refer to Figure 4 (CM6800-48X8 shown).

- 1 Pick a suitable location for each keyboard and wall block. Wall blocks must be within 6 feet (1.8 m) of a suitable electric outlet. Do not mount the wall blocks yet.
- 2 Connect each keyboard to a wall block, using the supplied keyboard data cable.
- 3 Remove the wall block covers and wire the connections between each wall block. Connect to a final wall block (which will be connected to the CM6800).

Communication to the keyboards is RS-485. Maximum cable distance for RS-485 communication over 24-gauge wire is 4,000 feet (1,219 m). Pelco recommends using shielded twisted pair cable that meets or exceeds the basic requirements for EIA RS-485 applications.

- 4 At each wall block, wire the KBDKIT or KBDKIT(-X) transformer to pins 3 and 4.
- 5 Replace the wall block cover. Secure the wall block to a suitable surface using the double-sided sticky pad.
- 6 Set the address switches for each keyboard (refer to the *Switch Settings* section). (If using COM 7 or 8, the port settings on the CM6800 must be changed from the default settings. Refer to the CM6800 manual.)
- 7 Connect the final wall block to COM 5, 6, 7, or 8 on the CM6800-48X8 or COM 4 or 5 for the CM6800-32X6 using a straight data cable (supplied with the CM6800).
- 8 Plug the KBDKIT or KBDKIT-X transformers into a suitable outlet.
- 9 To initialize the keyboard, wait five seconds after powering-up the CM6800, enter the number for the monitor you are viewing, and press MON. The LED display shows the number entered.

NOTE: You must re-initialize whenever power is cycled.

- 10 Go to the *Programming and Operation* section and program and test for proper operation.

MAXIMUM NUMBER OF KEYBOARDS: 8 PER PORT
 NOTE: THE TOTAL NUMBER OF KBD300A SERIES
 KEYBOARDS CONNECTED TO THE CM6800 CANNOT EXCEED 16.

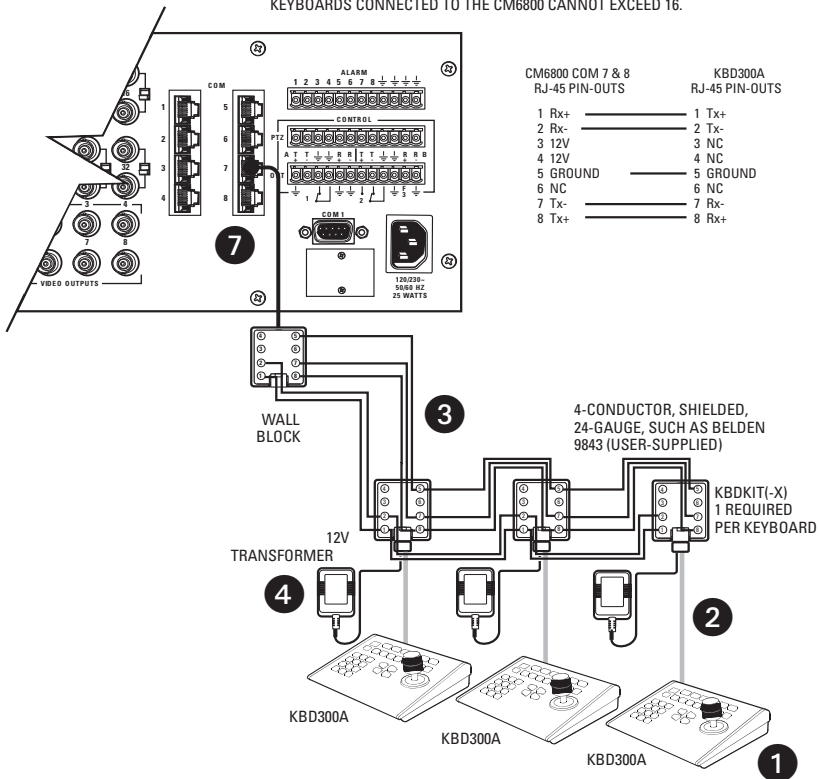


Figure 4. Connecting Remote Keyboards (CM6800-48X8 Shown)

INSTALLATION – CM6700 ASCII MODE

One ASCII keyboard can be installed, using either an RS-232 or RS-422 interface. If additional local and remote keyboards are used, you should install them according to the instructions in the *Installation – CM6700 Mode and Installation – CM6800 Mode* sections before doing an ASCII installation.

For installation at a remote location that is served by an RS-232 communications facility (such as via dial-up phone lines), use an RS-232 connection at both the KBD keyboard and the matrix switcher. (Refer to the *RS-232 Interface* section below.)

For installation at a remote location that is served by an RS-422 communications facility (such as direct-wire or fiber-optic terminals), use an RS-422 connection at both the KBD keyboard and the matrix switcher. (Refer to the *RS-422 Interface* section.)

NOTE: A *KBDKIT* or *KBDKIT-X* is required to use the keyboard in ASCII Mode. The *KBDKIT* consists of two RJ-45 wall blocks and a 120 VAC to 12 VAC transformer. The *KBDKIT-X* is for 230 VAC. Use one wall block.

RS-232 Interface (CM6700)

An RS-232/RS-422 converter and power supply (Pelco part number PV130) are required. They are not included and must be ordered separately.

Refer to Figure 5.

- ❶ Remove the cover from the CM6700 SCU and verify that the DIP switches for COM 2 are set for RS-232. Refer to the *COM 2 Port* section in the CM6700 Installation/Operation Manual for setting the switches. Reinstall the cover.
- ❷ Use an existing CM6700 keyboard to program the COM 2 communication port. (If there is no other keyboard, use the one you are installing. Set all DIP switches OFF and plug the keyboard into the Local Keyboard port on the back of the CM6700. Remove when programming is completed.) Refer to the *Setting COM 2 Communication Parameters* section in the CM6700 Installation/Operation Manual for programming instructions. Set COM 2 port parameters as follows:
Baud: 9600, Parity: Odd, Stop Bits: 1
- ❸ At the CM6700 SCU, connect the COM 2 RS-232 port to the output of the RS-232 device at the SCU side of the transmission link.
- ❹ Decide on a suitable location for the keyboard and wall block. The keyboard must be within 25 feet (7.6 m) of the wall block. The wall block must be within 6 feet (1.8 m) of the nearest suitable electrical outlet. Do not mount the wall block at this time.
- ❺ Remove the wall block cover and make connections between the wall block and the RS-232/RS-422 converter.
- ❻ Wire the +12 VDC power supply to the converter.
- ❼ Connect the RS-232 side of the converter to an RS-232 device that interfaces the transport network.
- ❽ At the wall block wire the transformer to pins 3 and 4. Polarity is unimportant.
- ❾ Replace the cover on the wall block. A double-sided sticky pad is provided to mount the wall block. Secure the wall block to a suitable surface.

- 10 Set the keyboard DIP switches for ASCII Mode according to the instructions in the *Switch Settings* section.
- 11 Plug in the keyboard data cable.
- 12 Plug the +12 VDC power supply into a suitable outlet.
- 13 Plug the KBDKIT or KBDKIT-X transformer into a suitable outlet.
- 14 Apply power to the CM6700 SCU (if not already powered). To initialize the keyboard, wait five seconds after power-up, enter the number for the monitor you are viewing (1-4), and press MON. The LED display shows the number entered. You can now use the keyboard to perform all normal keyboard functions **except you cannot program the CM6700**.
- 15 Go to the *Programming and Operation* section and program and test for proper operation.

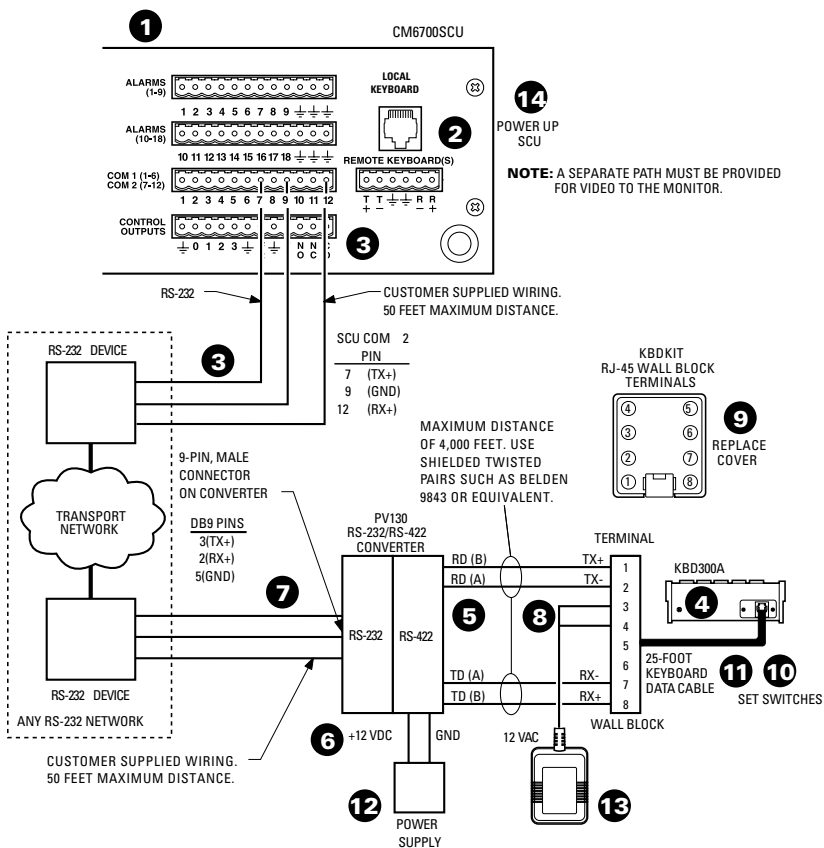


Figure 5. RS-232 Interface Connections (CM6700)

RS-422 Interface (CM6700)

Refer to Figure 6.

- ➊ Remove the cover from the CM6700 SCU and verify that the DIP switches for COM 2 are set for RS-422. Refer to the *COM 2 Port* section in the CM6700 Installation/Operation Manual for setting the switches. Reinstall the cover.
- ➋ Use an existing CM6700 keyboard to program the COM 2 communication port. (If there is no other keyboard, use the one you are installing. Set all DIP switches OFF and plug the keyboard into the Local Keyboard port on the back of the CM6700. Remove when programming is completed.) Refer to the *Setting COM 2 Communication Parameters* section in the CM6700 Installation/Operation Manual for programming instructions. Set COM 2 port parameters as follows:
Baud: 9600, Parity: Odd, Stop Bits: 1
- ➌ Decide on a suitable location for the keyboard and wall block. The keyboard must be within 25 feet (7.6 meters) of the wall block. The wall block must be within 6 feet (1.8 m) of the nearest suitable electrical outlet. Do not mount the wall block at this time.
- ➍ Remove the wall block cover and make connections between the wall block and COM 2 of the CM6700 SCU.
- ➎ At the wall block wire the transformer to pins 3 and 4. Polarity is unimportant.
- ➏ Replace the cover on the wall block. A double-sided sticky pad is provided to mount the wall block. Secure the wall block to a suitable surface.
- ➐ Set the keyboard DIP switches according to the instructions in the *Switch Settings* section.
- ➑ Plug in the keyboard data cable.
- ➒ Plug the KBDKIT or KBDKIT-X transformer into a suitable outlet.
- ➓ Apply power to the CM6700 (if not already powered). To initialize the keyboard, wait five seconds after power-up, enter the number for the monitor you are viewing (1-4), and press MON. The LED display shows the number entered.
- ➑ Once you apply power to the keyboard and the CM6700 SCU, you can use the keyboard in the same manner as a normal keyboard except that **in ASCII Mode you cannot program the CM6700.**
- ➒ Go to the *Programming and Operation* section and program and test for proper operation.

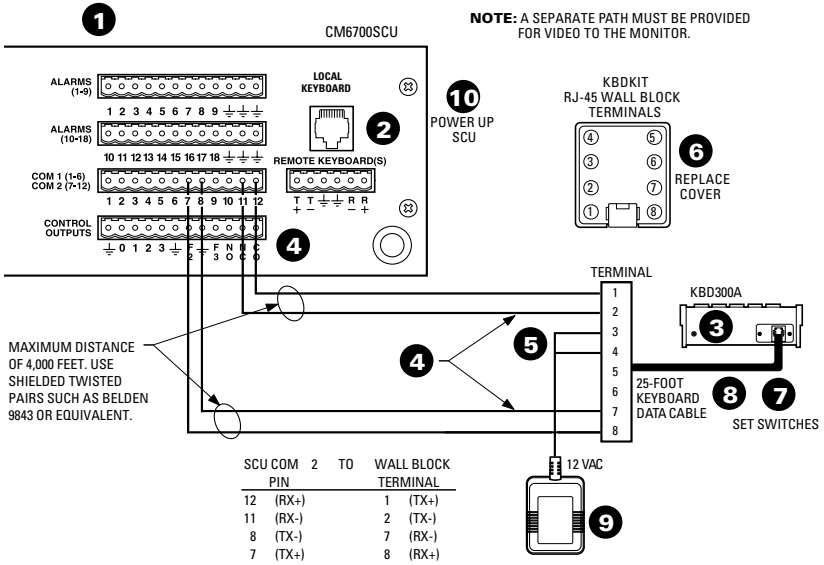


Figure 6. RS-422 Interface Connections (CM6700)

INSTALLATION – CM6800 ASCII MODE

RS-232 Interface (CM6800)

An RS-232/RS-422 converter and power supply (Pelco part number PV130) are required. They are not included and must be ordered separately.

Refer to Figures 7 (CM6800-48X8 shown) and 9.

- ❶ Use an existing CM6800 keyboard to program the COM 1, 2, 7, or 8 communication port for the CM6800-48X8 or COM 1 or 2 communication port for the CM6800-32X6. (If there is no other keyboard, use the one you are installing. Set all DIP switches OFF and plug the keyboard into the Local Keyboard port on the back of the CM6800. Remove when programming is complete.)
- ❷ Do the following to program the COM port:
 - a. Press the PGM key. At the prompt, enter the password (default is 2899100). The CM6800 Main Menu appears.
 - b. Select PORT. The Set Serial Port screen appears.
 - c. Select the number of the desired port.
 - d. Set COM port parameters as follows: Device: ASCII, Type: RS-232, Baud: 9600, Parity: Odd, Data Bits: 8, Stop Bits: 1.
 - e. Select RETURN, and RETURN again.
- ❸ At the CM6800, connect the COM 1, 2, 7, or 8 RS-232 port (CM6800-48X8) or COM 1 or 2 RS-232 port (CM6800-32X6) to the output of the RS-232 device on the CM6800 side of the transmission link.
- ❹ Decide on a suitable location for the keyboard and wall block. The keyboard must be within 25 feet (7.6 m) of the wall block. The wall block must be within 6 feet (1.8 m) of the nearest suitable electrical outlet. Do not mount the wall block yet.
- ❺ Remove the wall block cover and make the connections between the wall block and the RS-232/RS-422 converter.
- ❻ Wire the +12 VDC power supply to the converter.
- ❼ Connect the RS-232 side of the converter to an RS-232 device that interfaces the transport network.
- ❽ At the wall block, wire the transformer to pins 3 and 4. Polarity is unimportant.
- ❾ Replace the cover on the wall block. Use the double-sided sticky pad to mount the wall block to a suitable surface.
- ❿ Set the keyboard DIP switches according to the instructions in the *Switch Settings* section.
- ⓫ Plug in the keyboard data cable.
- ⓬ Plug the +12 VDC power supply into a suitable outlet.
- ⓭ Plug the KBDKIT or KBDKIT-X transformer into a suitable outlet.

- 14 Apply power to the CM6800 (if not already powered). To initialize the keyboard, wait five seconds after power-up, enter the number for the monitor you are viewing, and press MON. The LED display shows the number entered. You can now use the keyboard to perform all normal keyboard functions, **except you cannot program the CM6800.**
- 15 Go to the *Programming and Operation* section and program and test for proper operation.

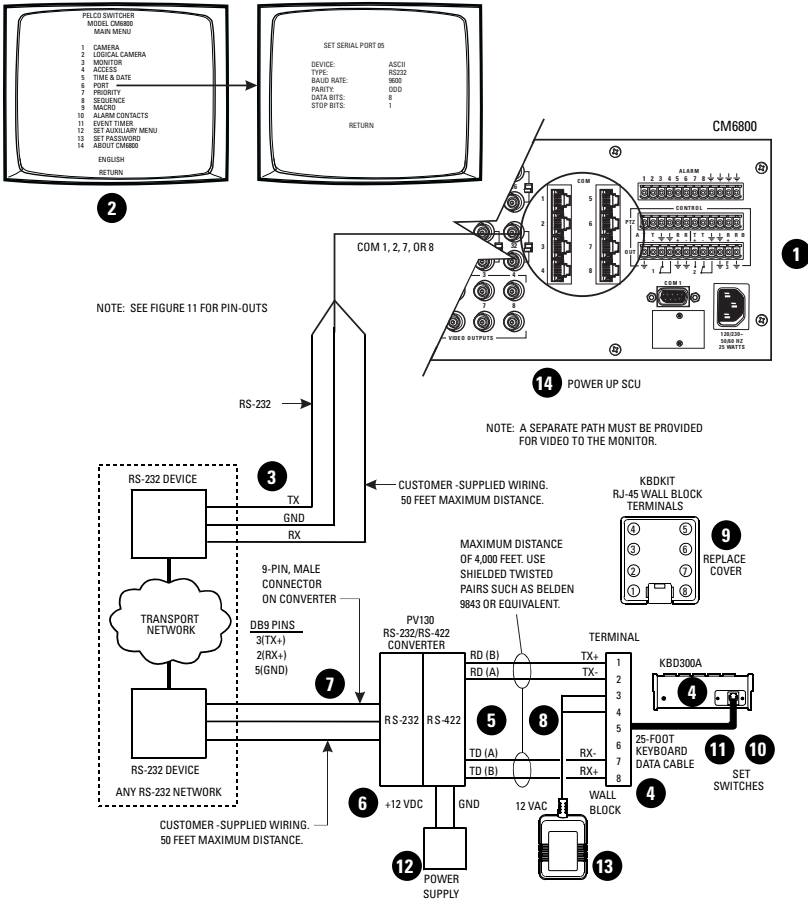


Figure 7. RS-232 Interface Connections (CM6800-48X8 Shown)

01235

RS-485 Interface (CM6800)

Refer to Figures 8 (CM6800-48X8 shown) and 9.

- 1 Use an existing CM6800 keyboard to program the COM 4, 7, or 8 communication port (CM6800-48X8) or COM 4 communications port (CM6800-32X6). (If there is no other keyboard, use the one you are installing. Set all DIP switches OFF and plug the keyboard into the Local Keyboard port on the back of the CM6800. Remove when programming is complete.)
- 2 Do the following to program the COM port:
 - a. Press the PGM key. At the prompt, enter the password (default is 2899100). The CM6800 Main Menu appears.
 - b. Select PORT. The Set Serial Port screen appears.
 - c. Select the number of the desired port.
 - d. Set COM port parameters as follows: Device: ASCII, Type: RS-485, Baud: 9600, Parity: Odd, Data Bits: 8, Stop Bits: 1.
 - e. Select RETURN, and RETURN again.
- 3 Decide on a suitable location for the keyboard and wall block. The keyboard must be within 25 feet (7.6 m) of the wall block. The wall block must be within 6 feet (1.8 m) of the nearest suitable electrical outlet. Do not mount the wall block yet.
- 4 Remove the wall block cover and make connections between the wall block and COM 4, 7, or 8 of the CM6800-48X8 or COM 4 of the CM6800-32X6.
- 5 At the wall block, wire the transformer to pins 3 and 4. Polarity is unimportant.
- 6 Replace the cover on the wall block. Use the double-sided sticky pad to mount the wall block to a suitable surface.
- 7 Set the keyboard DIP switches according to the instructions in the *Switch Settings* section.
- 8 Plug in the keyboard data cable.
- 9 Plug the KBDKIT or KBDKIT-X transformer into a suitable outlet.
- 10 Apply power to the CM6800 (if not already powered). To initialize the keyboard, wait five seconds after power-up, enter the number for the monitor you are viewing (1-8), and press MON. The LED display shows the number entered. Once you apply power to the keyboard and the CM6800, you can use the keyboard in the same way as a normal keyboard except that in **ASCII Mode you cannot program the CM6800**.
- 11 Go to the *Programming and Operation* section and program and test for proper operation.

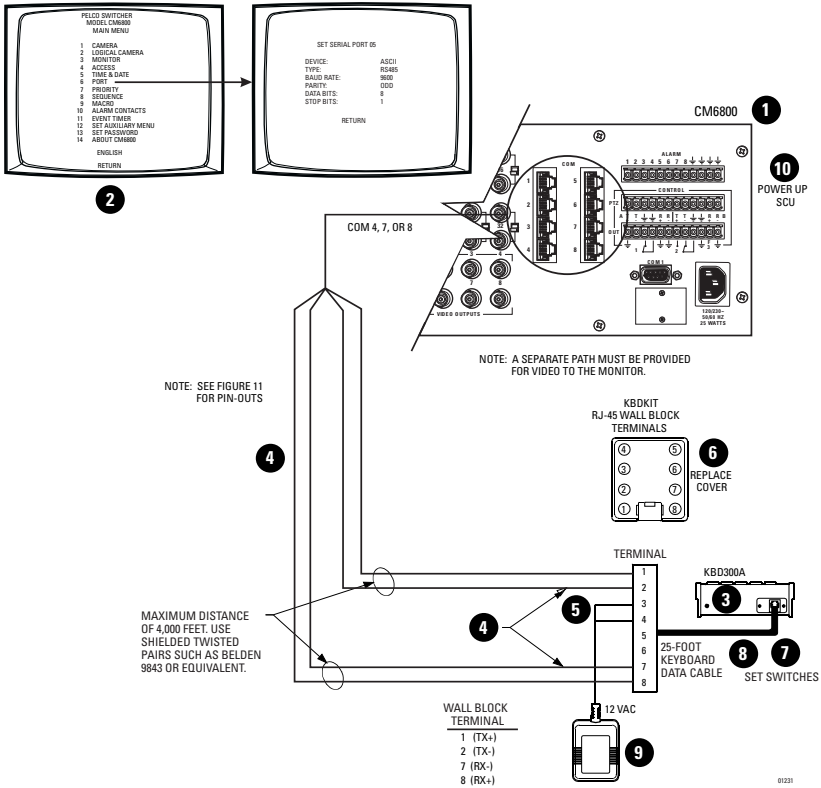
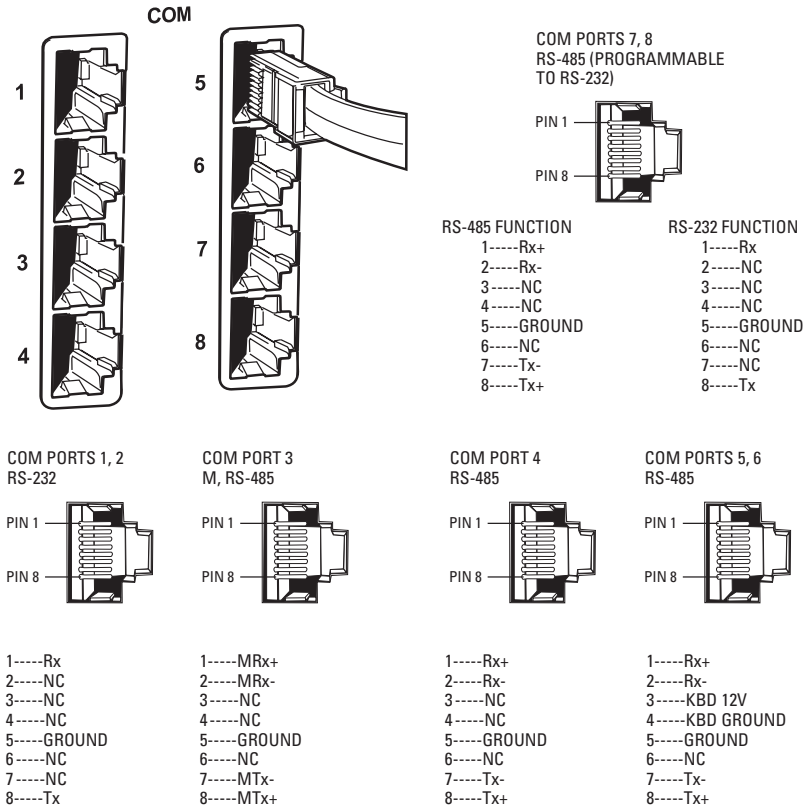


Figure 8. RS-485 Interface Connections (CM6800-48X8 Shown)



NC = NO CONNECTION

Figure 9. COM Port Connections and RJ-45 Connector Pin-Outs

01232

INSTALLATION – DIRECT MODE

The keyboard is wired directly to a maximum of 16 receivers. You can communicate using Pelco P Protocol or Pelco D Protocol. Direct Mode installation/operation is not the same as CM6700 Mode or CM6800 Mode installation/operation. A separate system, such as an MS500 or VA6100 switcher, is required for routing video to the monitor(s).

In Direct P and Direct D modes you can now change the zoom speed of a PTZ by entering a number from 1 to 4 followed by a zoom command. This causes the zoom speed command to be sent.

NOTE: A KBDKIT or KBDKIT-X is required to use the keyboard in Direct Mode. The KBDKIT consists of two RJ-45 wall blocks and a 120 VAC to 12 VAC transformer. The KBDKIT-X is for 230 VAC. Only one wall block is required for this application.

Connecting the Keyboard

Refer to Figure 10.

- 1 Make sure all receivers are configured to communicate using either Pelco P or Pelco D protocol and that each receiver has a unique address. Refer to your receiver manual for switch settings.
- 2 Decide on a suitable location for the keyboard and wall block. The keyboard must be within 25 feet (7.6 meters) of the wall block. The wall block must be within 6 feet (1.8 m) of the nearest suitable electrical outlet. Do not mount the wall block at this time.
- 3 Remove the cover from the KBDKIT or KBDKIT-X wall block. Connect the transmission wires from the receiver (Spectra/Esprit system) to the wall block. Refer to Figure 10 and do the following:
 - Connect RX+ from receiver/driver to TX+ (terminal 1) on the wall block.
 - Connect RX- from receiver/driver to TX- (terminal 2) on the wall block

NOTE: Communication to the keyboards is RS-422. Maximum cable distance for RS-422 communication over 24-gauge wire is 4,000 feet (1,219 m). Pelco recommends using shielded twisted pair cable that meets or exceeds the basic requirements for EIA RS-422 applications.

- 4 At the wall block wire the transformer to pins 3 and 4. Polarity is unimportant.
- 5 Replace the cover on the wall block. A double-sided sticky pad is provided to mount the wall block. Secure the wall block to a suitable surface.
- 6 Set the keyboard DIP switches according to the instructions in the *Switch Settings* section.
- 7 Plug in the keyboard data cable.
- 8 Plug the KBDKIT or KBDKIT-X transformer into a suitable outlet. The LED display shows number 1, which is the default camera number.
- 9 Go to the *Programming and Operation* section and program and test for proper operation.

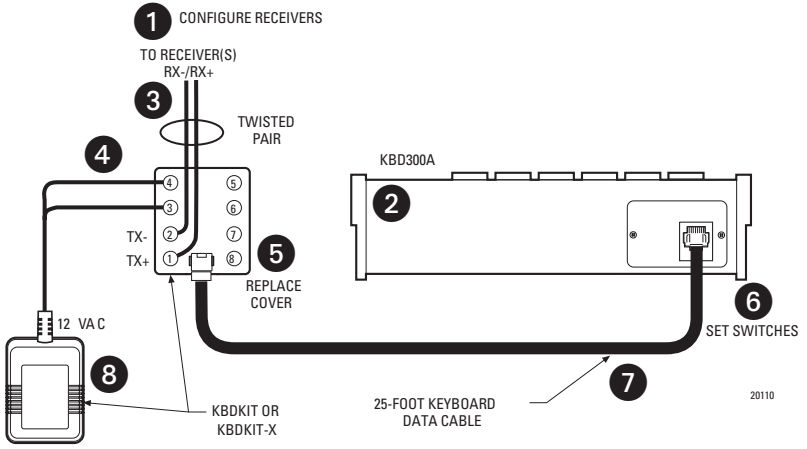


Figure 10. Direct Keyboard and Receiver Wiring

SWITCH SETTINGS

To set the switches on the keyboard (refer to Figure 11):

- 1 Remove the two screws and the DIP switch cover plate from the rear of the keyboard.
- 2 Set the switches:
 - Address (Switches 1-4)
Position the switches according to Table B. Each keyboard in the system must have a different address, including the local keyboard. To make programming easier, address keyboards in ascending order.

NOTE: *CM6700 accepts only eight addresses.*

Table B. Keyboard Addresses

Keyboard	Switch Settings			
	1	2	3	4
1	OFF	OFF	OFF	OFF
2	ON	OFF	OFF	OFF
3	OFF	ON	OFF	OFF
4	ON	ON	OFF	OFF
5	OFF	OFF	ON	OFF
6	ON	OFF	ON	OFF
7	OFF	ON	ON	OFF
8	ON	ON	ON	OFF
9	OFF	OFF	OFF	ON
10	ON	OFF	OFF	ON
11	OFF	ON	OFF	ON
12	ON	ON	OFF	ON
13	OFF	OFF	ON	ON
14	ON	OFF	ON	ON
15	OFF	ON	ON	ON
16	ON	ON	ON	ON

- Mode (Switches 5, 7, 8)
Position the switches according to Table C. Switch 6 enables/disables turbo pan. It can be switched while the keyboard is on.

Table C. Keyboard Modes

	CM6700/CM6800**	Direct P***	CM6700 ASCII***	CM6800 ASCII***	Direct D***	CM9760-MDA*
Switch 5	OFF	ON	OFF	OFF	ON	ON
Switch 6	ON or OFF	ON or OFF	ON or OFF	ON or OFF	ON or OFF	ON or OFF
Switch 7	OFF	OFF	ON	ON	ON	OFF
Switch 8	OFF	OFF	OFF	ON	OFF	ON

*Firmware version 4.00 and higher.

**Firmware version 4.20 and higher automatically recognizes CM6700/CM6800 and Direct P Mode.

***Firmware version 5.00 and higher.

- 3 Replace the cover plate.

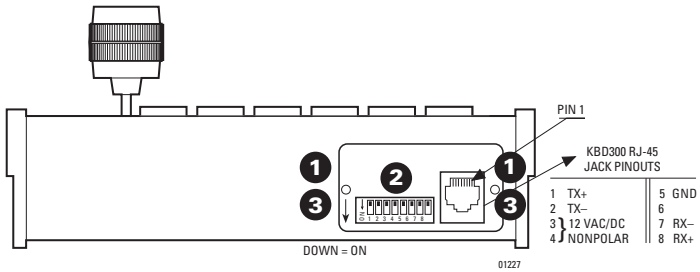


Figure 11. Keyboard Rear Panel

PROGRAMMING AND OPERATION

Table D. Keyboard Functions

Circled numbers refer to Figure 13.

Function	Procedure
Select Monitor*	LED display 1 shows monitor number in run mode. Enter monitor number 15 and press MON 17 to select.
Select Camera	Enter camera number (1-16) 15 and press CAM 14 to select. NOTE: The CM6700 and CM6800 can be programmed to restrict some monitors from viewing certain cameras. To display a camera's view on your monitor, be sure that your keyboard shows the number of the monitor you are viewing and be sure that the CM6700 or CM6800 has not been programmed to restrict viewing of that camera.
Pan/Tilt/Zoom	Move the joystick 11 until the camera reaches the desired position. To increase the speed of movement, move the joystick further from center. Twist the joystick clockwise to zoom in, counterclockwise to zoom out.
Lens Control	Focus, iris - Press and hold the appropriate lens control key 12 until the desired effect is seen.
Presets	Enter preset number (1-66) 15 and press PRESET 9 to put camera in preset position. To program, position camera, enter desired preset number (1-66) 15, and hold down PRESET 9 for two seconds. In CM6700 and CM6800 modes, a label appears on the monitor. Use F1 and F2 5 to edit the label, then select SET and press ACK 16 or tap the joystick 11 to the right and release.

*This function is not used in Direct Mode.

Continued on next page

Table D. Keyboard Functions (continued)

Function	Procedure
Patterns	<p>Programming and operation varies with the receiver type.</p> <p>Spectra® domes (before version 3.0) can use one long (1 minute) or two short (0.5 minute) patterns. Spectra domes (version 3.0), Spectra II™ domes and Esprit® Integrated Positioning Systems can use one long (1.5, 3 or 6 minutes) or two short (0.75, 1.5 or 3 minutes) patterns. (Select pattern lengths at the positioning system's menu.) Spectra III™ can use four patterns of varying length (all drawing from the same block of memory, which is almost infinite).</p> <p><u>To program Spectra and Esprit</u>, select a camera (1-16) 15, select a long pattern by holding down PATTERN 10 for two seconds, or select short pattern 1 or 2 by entering 1 or 2 15 and holding down PATTERN 10 for two seconds. The monitor will indicate the programming function is active. Move the camera position 11 as desired for the pattern and press ACK 16 to close the programming function.</p> <p><u>To run a long pattern</u>, press PATTERN 10. <u>To run a short pattern</u>, enter 1 or 2 15 and press PATTERN 10. Move the joystick 11 or call a preset 9 to stop. Direct Mode is the same as above, <u>except</u>:</p> <p>Do not program a pattern with turbo pan on (switch 6).</p> <p><u>To program Spectra III</u>, enter 95, and then hold down PRESET 9 for about 5 seconds until the main menu appears. Use the joystick to position the cursor beside Patterns and press IRIS OPEN 12. Position the cursor beside Pattern Number and press IRIS OPEN 12. Position the cursor beside Program Pattern and press IRIS OPEN 12. Follow the directions displayed on the monitor.</p> <p><u>To run a Spectra III pattern</u>, press the pattern number (1-4) 15 and then PATTERN 10. Move the joystick 11 to stop.</p>
Sequence*	<p>Sequence steps through all 16 cameras. Camera number, camera title, sequence status, and time/date are shown on the monitor.</p> <p>Press PREV 4A to step back one camera. Hold for two seconds for a backward sequence. Monitor shows B. Press during sequence to speed up. Press during a forward sequence to reverse.</p> <p>Press NEXT 4B to step forward one camera. Hold for two seconds for a forward sequence. Monitor shows F. Press during sequence to speed up. Press during a backward sequence to go forward.</p> <p>Press HOLD 4C to hold a sequence. Monitor shows H. Press HOLD to resume.</p> <p>Manually select a camera or press CAM 14 to turn off a sequence. Monitor shows O.</p>
Macro Sequence*	<p>Enter 1 or 2 15 and press MACRO 8 to start a group camera sequence. Monitor shows M. Refer to your switcher manual for macro/sequence programming.</p>
Multiplexer Displays*	<p>Press SHIFT 2. Shift key LED 3 lights. The function keys F1 through F3 and the auxiliary keys can now be used to display the images from multiple cameras on the monitor.</p> <p>F1/LATCH: Zoom F2/OFF: PIP display F3/MOM: Quad display AUX ON: 9-screen display AUX OFF: 16-screen display</p>

Table D. Keyboard Functions (continued)

Function	Procedure
Auxiliaries/ Relays	<p>For the CM6700: F1 – F3 5 control only the auxiliaries built into the CM6700 SCU. These outputs can be programmed for momentary, keyed, latched, or alarm operation. Refer to the CM6700 manual for programming instructions. F1/LATCH: Activate/deactivate auxiliary 1 relay.* F2/OFF: Activate/deactivate switcher auxiliary 2 TTL output.* F3/MOM: Activate/deactivate switcher auxiliary 3 TTL output.* The AUX ON and AUX OFF keys 6 control the auxiliaries in receivers. Enter the auxiliary number and press the AUX ON key to turn on. Hold, and then release for momentary functions. Enter the auxiliary number and press the AUX OFF key to turn off.</p> <p>For the CM6800: F1-F3 5 can address auxiliary functions on the CM6800 and on the REL2064 (a separate auxiliary relay box) to provide additional auxiliary points. F1/LATCH: Enter the auxiliary number and press and release F1 to turn on an auxiliary (latching). F2/OFF: Enter the auxiliary number and press and release F2 to turn off an auxiliary (latching). F3/MOM: Enter the auxiliary number and press and hold down F3 to turn on an auxiliary (momentary). Release F3 to turn off the auxiliary.</p> <p>Direct Mode: In Direct Mode, F1- F3 5 have no function. LED 1 shows receiver auxiliary number for two seconds after the AUX ON or AUX OFF key 6 is pressed.</p>
Acknowledge	Press ACK 16 to acknowledge an alarm (or to halt pattern programming).
Alarm*	Refer to the CM6700 or CM6800 manual for further information on alarms.
Program (CM6700) (CM6800)	<p>For the CM6700: To program the CM6700 switcher, press PGM 7. Follow the programming procedure in the CM6700 manual. LED display 1 shows P in program mode. To exit, navigate to the RETURN field and press ACK 16 or tap the joystick 11 to the right and release.</p> <p>For the CM6800: To program the CM6800 switcher, press PGM 7. Follow the programming procedure in the CM6800 manual. To exit, navigate to the RETURN field and tap the joystick 11 to the right and release. Or, press the PGM key 7 to return to the previous screen or menu.</p>
LED	LED 1 shows monitor number (in CM6700 and CM6800 modes) or camera/receiver number (in Direct Mode) and P (in Program Mode).
Firmware Version	LED 1 flashes for a few seconds to show firmware version on power up (not functional on versions prior to 4.0).
Clear	Press CLEAR 13 to cancel a number that has been entered. (CM6700/CM6800 modes only.) In Direct Mode, this key erases any numerical entries entered and redisplay the current camera number selected.
Infrared Filter (IR Cut Filter)	This function applies to Spectra® color/black-white model SD5BCBW only. a. To turn on the filter; press 8, 8, PRESET 9 . b. To turn off the filter, press 8, 9, PRESET 9 .
Shift*	Press SHIFT 2 to allow the keyboard to send multiplexer commands.

*This function is not used in Direct Mode.

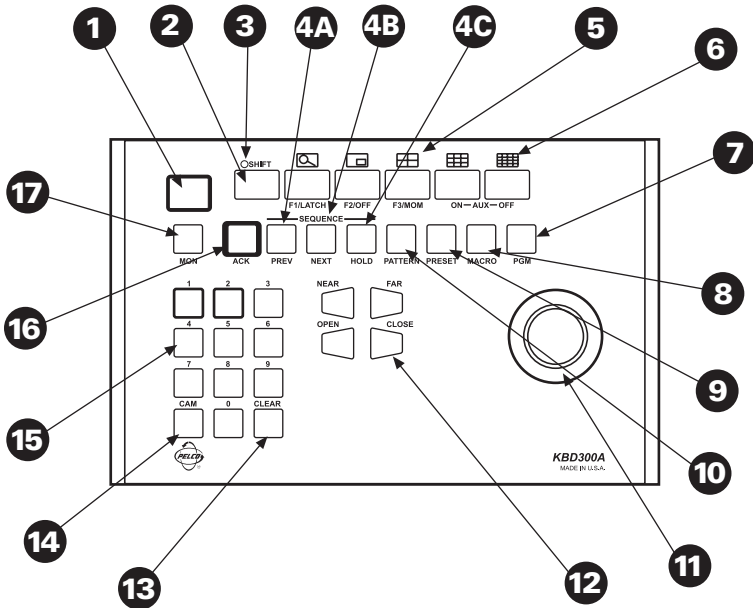


Figure 12. Keyboard Functions

Table E. KBD300A Button Functions

Reference Number	Description
1	LED display
2	Shift key
3	Shift key LED
4A-C	Sequence keys: Previous, Next, Hold
5	Function keys F1/Latch, F2/Off, F3/Mom control auxiliaries. With Shift on they control multiplexer display.
6	The AUX ON and AUX OFF keys control receiver auxiliaries. With Shift on they control multiplexer display.
7	Program key
8	Macro sequence key
9	Preset key
10	Pattern key
11	Joystick
12	Focus and iris keys (iris keys can be used to scroll through menus on the CM6800 only)
13	Clear key
14	Camera selection key
15	Keypad (numbers 1 through 0)
16	Acknowledge key
17	Monitor selection key

Scanning Functions

Operation of the scanning functions depends on the kind of receiver or pan/tilt mechanism you have and the operating mode of your keyboard (CM6700, CM6800, or Direct Mode).

There are four types of scanning functions: auto (moves camera back and forth between stops), random (moves camera in a random pattern), frame (moves camera back and forth in 10 degree steps), and preset (sequences camera through all programmed presets, pausing between each).

Operate scans according to Table F.

Table F. Operating Scan Functions with Various Receivers

Receiver Model	Controlling Protocol	Function				
		Auto Scan	Random Scan	Frame Scan	Preset	Stop Scan
All Pelco	15-bit (standard) Coaxitron®	97 Preset (1) (3)	97 Preset (1)	N/A	(2)	96 Preset
IRD2024 ERD2200	Extended Coaxitron	98 Preset or 99 Preset (3)	97 Preset	N/A	N/A	96 Preset
All Spectra All Esprit	Ext. Coax., Serial Pelco P or D	99 Preset	97 Preset	98 Preset	N/A	96 Preset or PTZ
LRD41C (before ver. 2.98)	Ext. Coax., Serial Pelco P or D	99 Preset (1) (3)	99 Preset (1)	N/A	N/A	96 Preset
LRD41C (ver 2.98 and later)	Ext. Coax., Serial Pelco P or D	99 Preset (3)	97 Preset	N/A	N/A	96 Preset
ERD97P21-U	Serial Pelco P	N/A	97 Preset	98 Preset	N/A	96 Preset

(1) First entry starts random scan, next entry changes to auto scan, etc.

(2) Enter dwell time (5-64 sec.) and press IRIS CLOSE.

(3) Changes to random scan after 30 minutes.

Programming Limit Stops

Spectra and Esprit can be programmed for scan and manual limit stops.

Program left limit before programming right limit. Locate camera at desired limit. Enter the set code from Table G. Hold the PRESET key for two seconds. In CM6700 and CM6800 modes, a label appears on the monitor. Use F1 and F2 to edit the label, then select SET and press ACK or tap the joystick to the right and release.

To cancel all limit stops, enter 95. Hold the preset key for two seconds. Move joystick up or down to move the pointer to Other. Press IRIS OPEN. Move the pointer to Limit Stops. Press IRIS OPEN. Move joystick right/left to change limit stops to off. Press IRIS OPEN. Move the pointer to EXIT. Press IRIS OPEN. Move pointer to exit. Press IRIS OPEN.

Table G. Limit Set Codes

Direction	Scan Limit	Manual Limit
Left Limit	92	90
Right Limit	93	91

Zones

The Zone function is available on Esprit and Spectra positioning systems when operated through a CM6700 or CM6800 switch.* This function puts a label on the screen to identify the viewing area. Zones can also be blanked to prevent viewing while the camera is positioned in the zone.

Up to eight pan (horizontal) zones can be defined (zones are not affected by tilt or zoom). Higher numbered zones take precedence so that if zones overlap, the one with the higher number is in effect. Zone programming is outlined in Table H.

Table H. Zone Programming Procedure

Step	Procedure
1. Set left zone limit.	a. Use the joystick to position the camera at the start (left limit) of the zone.
2. Access zone programming.	a. Press 8, followed by the zone number N (N = 1 through 8), and then the AUX ON key to display the zone menu.
3. Define a label. HINT: To ease future title editing, start each title with Z(N), where N = zone number.	<p>a. Use F1 and F2 to find the characters for each position in the label (26 upper case letters, 26 lower case letters and 10 numbers).</p> <p>b. Pan left/right to move between character positions. Continue selecting characters until the title is completed (up to 20 characters).</p> <p>c. Move down to the SET field and press ACK or tap the joystick to the right and release.</p>
4. Set right zone limit.	<p>a. Position camera at the right limit of the zone.</p> <p>b. Press 8, followed by the zone number, and then the AUX OFF key.</p> <p>c. To view zone titles go to step 6.</p>
5. Clear zones.	<p>a. Press 8, followed by the zone number, and then the AUX ON key.</p> <p>b. Move down to the SET field and Press ACK.</p> <p><i>NOTE: DO NOT pan right.</i></p> <p>c. Press 8, followed by the zone number, and then the AUX OFF key.</p>
6. Turn on zone labeling.	a. Press 9, 1, the AUX ON key.
7. Turn off zone labeling.	a. Press 9, 2, the AUX ON key.
8. Blank zones.	<p>a. Press 9, 5 and hold Preset for about 2 seconds to display the Edit Preset 95 menu.</p> <p>b. Move down to the SET field and press ACK to display the Camera menu.</p> <p>c. Move down to the <Alarms, Zone Blank> field and press Iris Open to display the Alarms, Zone Blank menu.</p> <p>d. Move down to the <Zone Blank> field and press Iris Open to display the Zone Blank menu.</p> <p>e. Move down to the zone number you wish to blank and press Iris Open to move the cursor arrow to the zone blanking status value.</p> <p>f. Pan up to turn blanking on, pan down to turn blanking off.</p> <p>g. Press Iris Open to accept new status; press Iris Close to cancel.</p> <p>h. Repeat steps 8e through 8g for each zone you wish to change, and then go to step 8i.</p> <p>i. Move down to Exit and press Iris Open repeatedly to move up through the menus and return to the normal display.</p>

*Zones cannot be used in Direct P or Direct D mode.

SPECIFICATIONS

GENERAL

Keyboard Keypad: Electromechanical

Joystick:	3-axis, vector-solving, with twisting, return-to-center head
Digital Display:	Red LED, 7-segment, 2 cells
Shift Mode Indicator:	Green LED
Ambient Operating Temperature:	20° to 120°F (-7° to 49°C)
Humidity:	10–90% non-condensing
Dimensions:	9.50 (W) x 7.125 (D) x 2.25 (H) inches (24.13 x 18.1 x 5.72 cm)
Weight:	2.5 lb (1.12 kg)
Ratings:	Meets NEMA Type 1 standards Meets IP 30 standards

ELECTRICAL

Input Voltage:	12 VAC or \pm 12 VDC
Power Consumption:	5 watts
Connector Type:	RJ-45, 8-pin, modular (female)

Keyboard Communication

CM6700/CM6800 Mode

Interface:	RS-485
Protocol:	Pelco ASCII
Baud:	9600
Communication Parameters:	8 data bits, 1 stop bit, odd parity

CM6700 ASCII Mode

Interface:	RS-422
Protocol:	Pelco ASCII
Baud:	9600
Communication Parameters:	8 data bits, 1 stop bit, odd parity

CM6800 ASCII Mode

Interface: RS-485
Protocol: Pelco ASCII
Baud: 9600
Communication
Parameters: 8 data bits, 1 stop bit, odd parity

Direct P Mode

Interface: RS-485
Protocol: Pelco P
Baud: 4800
Communication
Parameters: 8 data bits, 1 stop bit, no parity

Direct D Mode

Interface: RS-485
Protocol: Pelco D
Baud: 2400
Communication
Parameters: 8 data bits, 1 stop bit, no parity

(Design and product specifications subject to change without notice.)



This equipment contains electrical or electronic components that must be recycled properly to comply with Directive 2002/96/EC of the European Union regarding the disposal of waste electrical and electronic equipment (WEEE). Contact your local dealer for procedures for recycling this equipment.

REVISION HISTORY

Manual #	Date	Comments
C527M	11/97	Original version.
C527M-A	1/98	Revised manual to include Direct Mode Installation/Operation instructions. Added CM6700 Operations instructions.
C527M-B	4/98	Revised installation instructions as a result of hardware changes to the rear panel of the CM6700 SCU.
	6/98	Added Section 1.2, Regulatory Notices, and Section 1.3, Certifications.
C527M-C	9/98	Revised manual to show new DIP switch and switch settings.
C527M-D	4/99	Added references to Service Bulletin 981014 for connection instructions. Revised material in the sections on programming and operating a camera pattern. Revised manual to new format.
	6/99	Revised the sequence key definitions. Added material on programming Spectra® features to the <i>Direct Mode Operation</i> section.
C527M-E	3/00	Added pattern programming and operation in <i>Direct Mode Operation</i> section to support revision 4.0 firmware. Added CM9760-MDA mode.
C527M-F	7/00	Revised format.
C527M-G	10/01	Added information about the CM6800 Matrix Switcher and additional functionality of the iris keys and joystick.
C527M-H	2/02	Changed to KBD300A. Revised keyboard drawings to reflect key labeling changes. Several procedures revised because of the labeling change. Revised pattern programming in Table D to include procedures for Spectra III. Stated that firmware versions 4.20 and higher automatically recognize CM6700/6800 and Direct modes.
C527M-I	11/02	Added firmware version 5.00 information as per ECO 02-8447. Added three modes to the <i>Description</i> and <i>Installation</i> sections. Revised Tables A, C, and D. Updated <i>Specifications</i> . Revised Tables A and D. Removed RS-232 from <i>Specifications</i> .
C527M-J	12/02	
C527M-K	9/03	Added UL certification seal, changed power specification, and corrected zone information.
C527M-L	3/04	Revised directions for direct mode installation. Revised safety instructions. Changed FCC notice. Removed references to use 18-gauge wire for EIA RS-485 communication.

PRODUCT WARRANTY AND RETURN INFORMATION

WARRANTY

Pelco will repair or replace, without charge, any merchandise proved defective in material or workmanship for a period of one year after the date of shipment.

Exceptions to this warranty are as noted below:

- Five years on FT/FR8000 Series fiber optic products.
- Three years on Genex® Series products (multiplexers, server, and keyboard).
- Three years on Camclosure® and fixed camera models, except the CC3701H-2, CC3701H-2X, CC3751H-2, CC3651H-2X, MC3651H-2, and MC3651H-2X camera models, which have a five-year warranty.
- Two years on standard motorized or fixed focal length lenses.
- Two years on Legacy®, CM6700/CM6800/CM9700 Series matrix, and DF5/DF8 Series fixed dome products.
- Two years on Spectra®, Esprit®, ExSite®, and PS20 scanners, including when used in continuous motion applications.
- Two years on Esprit® and WW5700 Series window wiper (excluding wiper blades).
- Eighteen months on DX Series digital video recorders, NVR300 Series network video recorders, and Endura™ Series distributed network-based video products.
- One year (except video heads) on video cassette recorders (VCRs). Video heads will be covered for a period of six months.
- Six months on all pan and tilts, scanners or preset lenses used in continuous motion applications (that is, preset scan, tour and auto scan modes).

Pelco will warrant all replacement parts and repairs for 90 days from the date of Pelco shipment. All goods requiring warranty repair shall be sent freight prepaid to Pelco, Clovis, California. Repairs made necessary by reason of misuse, alteration, normal wear, or accident are not covered under this warranty.

Pelco assumes no risk and shall be subject to no liability for damages or loss resulting from the specific use or application made of the Products. Pelco's liability for any claim, whether based on breach of contract, negligence, infringement of any rights of any party or product liability, relating to the Products shall not exceed the price paid by the Dealer to Pelco for such Products. In no event will Pelco be liable for any special, incidental or consequential damages (including loss of use, loss of profit and claims of third parties) however caused, whether by the negligence of Pelco or otherwise.

The above warranty provides the Dealer with specific legal rights. The Dealer may also have additional rights, which are subject to variation from state to state.

If a warranty repair is required, the Dealer must contact Pelco at (800) 289-9100 or (559) 292-1981 to obtain a Repair Authorization number (RA), and provide the following information:

1. Model and serial number
2. Date of shipment, P.O. number, Sales Order number, or Pelco invoice number
3. Details of the defect or problem

If there is a dispute regarding the warranty of a product which does not fall under the warranty conditions stated above, please include a written explanation with the product when returned.

Method of return shipment shall be the same or equal to the method by which the item was received by Pelco.

RETURNS

In order to expedite parts returned to the factory for repair or credit, please call the factory at (800) 289-9100 or (559) 292-1981 to obtain an authorization number (CA number if returned for credit, and RA number if returned for repair).

All merchandise returned for credit may be subject to a 20% restocking and refurbishing charge.

Goods returned for repair or credit should be clearly identified with the assigned CA or RA number and freight should be prepaid. Ship to the appropriate address below.

If you are located within the continental U.S., Alaska, Hawaii or Puerto Rico, send goods to:

Service Department
Pelco
3500 Pelco Way
Clovis, CA 93612-5699

If you are located outside the continental U.S., Alaska, Hawaii or Puerto Rico and are instructed to return goods to the USA, you may do one of the following:

If the goods are to be sent by a COURIER SERVICE, send the goods to:

Pelco
3500 Pelco Way
Clovis, CA 93612-5699 USA

If the goods are to be sent by a FREIGHT FORWARDER, send the goods to:

Pelco c/o Expeditors
473 Eccles Avenue
South San Francisco, CA 94080 USA
Phone: 650-737-1700
Fax: 650-737-0933

Pelco, the Pelco logo, Camclosure, Esprit, Genex, Legacy, and Spectra are registered trademarks of Pelco.
Endura and ExSite are trademarks of Pelco.
© Copyright 2004, Pelco. All rights reserved.



World Headquarters
3500 Pelco Way
Clovis, California 93612 USA

USA & Canada
Tel: 800/289-9100
Fax: 800/289-9150

International
Tel: 1-559/292-1981
Fax: 1-559/348-1120

www.pelco.com

ISO9001