



ED110

1/3" B/W Audio Mini Dome CCD Camera

The B/W audio mini dome camera is the state of the art for security surveillance. Its stylish appearance is an excellent choice for security monitoring without giving pressures to objectors. The high sensitivity and low lux performance is achieved by our innovative circuit designed.

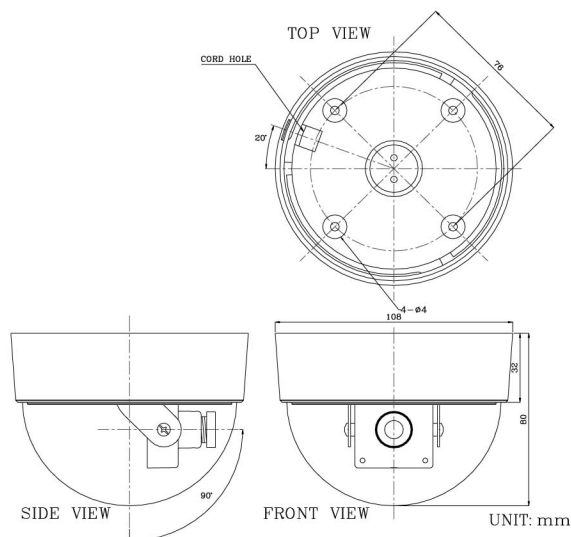
SPECIFICATIONS

Pickup device:	1/3" interline transfer CCD
Picture Element:	510 x 492 (EIA), 500 x 580 (CCIR)
Horizontal resolution:	420 TV Lines
Sensitivity:	0.04 lux/F=1.2
S/N ratio:	Over 48 dB
Electronic shutter:	Up to 1/100,000
Back light comp.:	On
Audio:	On
Gamma correction:	> 0.45
Power source:	12VDC+/-10%, 150mA
Sync. Mode:	Internal Sync.
Dimension:	108mm O.D. x 80mm H.
Operating temperature:	-10°C to + 50°C

FEATURES

- The high sensitivity of 0.04 lux/F=1.2 is achieved by using the advanced 1/3 inch interline transfer CCD.
- The electronic shutter and AGC allow the camera to be used in environment with varying light levels.
- Built-in audio function
- Compact size: 108mm O.D. x 80mm H.
- Available for CCIR and EIA.

DIMENSIONS



ORDERING INFORMATION

ED110/E-3B:	1/3" B/W Audio Mini Dome Camera, EIA, with f = 3.6 mm, F = 2.0 lens, 12VDC Power, Black base.
ED110/E-3W:	1/3" B/W Audio Mini Dome Camera, EIA, with f = 3.6 mm, F = 2.0 lens, 12VDC Power, White base.
ED110/C-3B:	1/3" B/W Audio Mini Dome Camera, CCIR, with f = 3.6 mm, F = 2.0 lens, 12VDC Power, Black base.
ED110/C-3W:	1/3" B/W Audio Mini Dome Camera, CCIR, with f = 3.6 mm, F = 2.0 lens, 12VDC Power, White base.