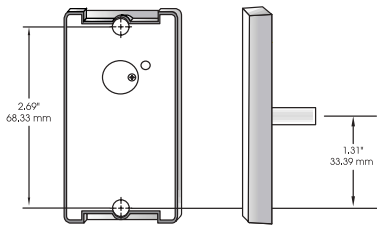
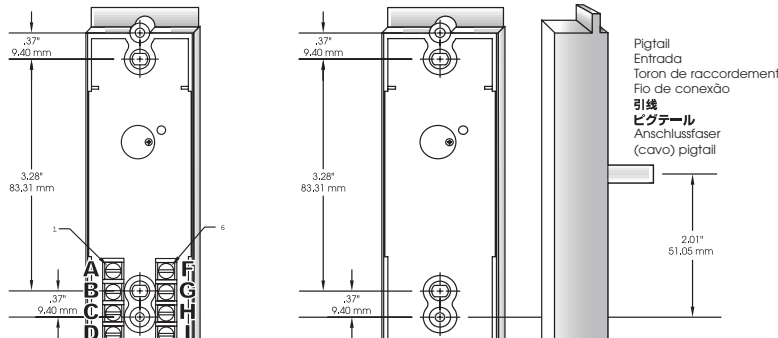


**1** PREPARING  
 PREPARACIÓN  
 PREPARATION  
 PREPARAÇÃO  
 准备  
 準備  
 VORBEREITUNG  
 PREPARAZIONE

**ProxPoint® Plus**  
 6005, 6008

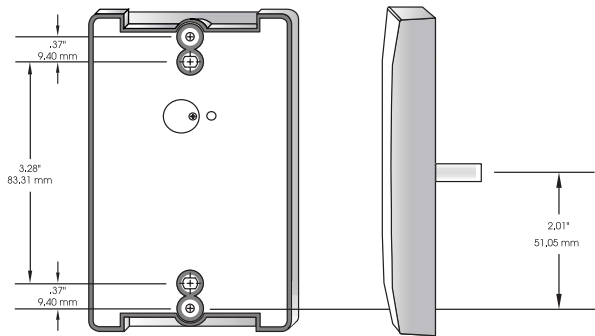


**MiniProx®**  
 5365, 5368, 5365xxH

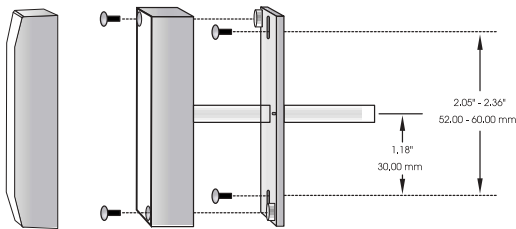


Terminal strip  
 Terminal de conexiones  
 Barrette de raccordement  
 Banco de terminais  
 接线端子  
 端子板  
 Verteller  
 Morsettierra

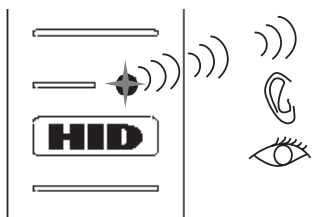
**ThinLine® II**  
 5395, 5398



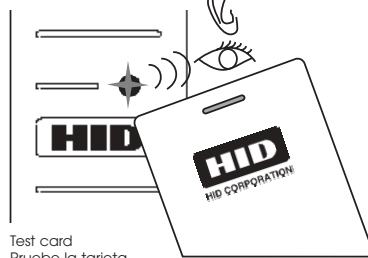
**Prox80™**  
 5405, 5408



**3** TESTING  
 PRUEBA  
 TEST  
 TESTE  
 测试  
 テスト  
 TESTEN  
 TESTARE



Turn power on  
 Encienda la unidad  
 Mettez sous tension  
 Ligar energia  
 打开电源 / 加电  
 電源を入れる  
 Strom einschalten  
 Accendere



Test card  
 Pruebe la tarjeta  
 Testez la carte  
 Placa de teste  
 测试卡  
 カードのテスト  
 Kartentest  
 Test

**2** CONNECTING  
 CONEXION  
 CONNEXION  
 CONEXÃO  
 接続  
 接続  
 ANSCHLUSS  
 CONNESSIONE

ENGLISH Wiring diagram

A	red	+DC (5-16 VDC)
B	black	ground
C	green	Data 0 (data)
D	white	Data 1 (clock)
E	drain	**shield ground
F	orange	*green LED
G	brown	*red LED
H	yellow	*beeper
I	blue	*hold
J	violet	* (card present)

\* optional connections  
 \*\* Drain wire can be "data return" line when a separate power supply is used

ESPAÑOL Cableado

A	rojo	CC+ (5-16 VCC)
B	negro	tierra
C	verde	datos 0 (datos)
D	blanco	datos 1 (reloj)
E	drenaje (drain)	**cable blindado c. tierra
F	naranja	*led verde
G	marrón	*led rojo
H	amarillo	*señal audible
I	azul	*retención
J	violeta	* (presencia de tarjeta)

\* Conexiones opcionales  
 \*\* El cable de drenaje puede convertirse en una línea de retorno de datos si se emplea una fuente de alimentación independiente.

FRANÇAIS Schéma de câblage

A	rouge	+cc (5-16 V cc)
B	noir	terre
C	vert	données 0 ("data")
D	blanc	données 1 ("clock")
E	branch. supp.	**mise à la terre blindée
F	orange	*voyant vert
G	marron	*voyant rouge
H	jaune	*bip
I	bleu	*attente
J	violet	* (carte présente)

\* connexions facultatives  
 \*\* Le branchement supplémentaire peut servir de ligne de « retour de données » en cas d'utilisation d'une alimentation électrique séparée

PORTUGUÊS Diagrama de ligações

A	vermelho	CA+ (5-16 V CA)
B	preto	terra
C	verde	Dados 0 (dados)
D	branco	Dados 1 (clock)
E	dreno	**terra do gabinete
F	laranja	*LED verde
G	marron	*LED vermelho
H	amarelo	*biper
I	azul	*reserva
J	violeta	* (placa presente)

\* conexões opcionais  
 \*\* O fio do dreno pode ser a linha de "retorno de dados" quando usada uma fonte de energia separada.

中文 布线图

A	红色	+DC (5-16 VDC)
B	黑色	接地
C	绿色	数据0 (数据)
D	白色	数据1 (时钟)
E	排流线	**屏蔽接地
F	橙色	*绿色发光二极管
G	棕色	*红色发光二极管
H	黄色	*蜂鸣器
I	蓝色	*保持
J	紫色	(卡在可读范围内)

\* 可选用连接  
 \*\* 当使用独立电源时, 排流线可以作 "数据返回" 线路

日本語 配線図

A	赤	+DC (5-16 VDC)
B	黒	グラウンド
C	緑	データ0 (データ)
D	白	データ1 (クロック)
E	ドレイン	**シールドグラウンド
F	オレンジ	*LED緑
G	茶色	*LED赤
H	黄色	*ビーパ
I	青	*ホールド
J	紫	(可読領域内のカード)

\* オプション接続  
 \*\* ドレイン接続配線は独立電源を使う際にデータ返送用として使用可能

DEUTSCH Schaltplan

A	Rot	+Gleichstrom (5-16 V)
B	Schwarz	Erde
C	Grün	Daten 0 (Daten)
D	Weiss	Daten 1 (Zeit)
E	Drain	**Schirmerde
F	Orange	*Grüne LED
G	Braun	*Rote LED
H	Gelb	*Signal
I	Blau	*Halten
J	Violett	* (Karte vorhanden)

\* optionale Verbindungen  
 \*\* Drainanschluss kann bei Verwendung separater Stromzufuhr Datenrückleitung sein

ITALIANO Schema di collegamento

A	rosso	+DC (5-16 VDC)
B	nero	terra
C	verde	Dato 0 (dato)
D	bianco	Dato 1 (clock)
E	cavo di terra	**Schermo di terra
F	arancione	*Led verde
G	marrone	*Led rosso
H	giallo	*Ronzatore
I	blu	*Memoria
J	viola	* (scheda attiva)

\* Connessioni opzionali  
 \*\* Il cavo.....può fare da "ritorno dati" se viene utilizzato un alimentatore separato

- COMPONENTI**
- 1 lettore
  - 2 #6-32x1" self tapping
  - 1 #6-32x1" self tapping
  - 2 #6-32x1" self tapping
  - 1 #6-32x1" self tapping
  - 2 #6-32x1" self tapping
  - 1 #6-32x1" self tapping
  - 2 #6-32x1" self tapping
  - 1 #6-32x1" self tapping
  - 2 #6-32x1" self tapping
- TEILE**
- 1 Leser
  - 2 #6-32x1" Zöll
  - 2 #6-32x1" Zöll
  - 1 #6-32x1" Zöll
  - 2 #6-32x1" Zöll
  - 1 #6-32x1" Zöll
  - 2 #6-32x1" Zöll
  - 1 #6-32x1" Zöll
  - 2 #6-32x1" Zöll
  - 1 #6-32x1" Zöll
- 部品**
- 1 读卡器
  - 2 #6-32 x 1 英寸
  - 2 #6-32 x 1 英寸
  - 1 #6-32 x 1 英寸
  - 2 #6-32 x 1 英寸
  - 1 #6-32 x 1 英寸
  - 2 #6-32 x 1 英寸
  - 1 #6-32 x 1 英寸
  - 2 #6-32 x 1 英寸
  - 1 #6-32 x 1 英寸

- RECOMMENDATIONS**
- 1 #6-32x1" self tapping
  - 2 #6-32x1" self tapping
  - 1 #6-32x1" self tapping
  - 2 #6-32x1" self tapping
  - 1 #6-32x1" self tapping
  - 2 #6-32x1" self tapping
  - 1 #6-32x1" self tapping
  - 2 #6-32x1" self tapping
  - 1 #6-32x1" self tapping
  - 2 #6-32x1" self tapping
- RECOMMENDATIONS**
- 1 #6-32x1" self tapping
  - 2 #6-32x1" self tapping
  - 1 #6-32x1" self tapping
  - 2 #6-32x1" self tapping
  - 1 #6-32x1" self tapping
  - 2 #6-32x1" self tapping
  - 1 #6-32x1" self tapping
  - 2 #6-32x1" self tapping
  - 1 #6-32x1" self tapping
  - 2 #6-32x1" self tapping

- RECOMMENDATIONS**
- 1 #6-32x1" self tapping
  - 2 #6-32x1" self tapping
  - 1 #6-32x1" self tapping
  - 2 #6-32x1" self tapping
  - 1 #6-32x1" self tapping
  - 2 #6-32x1" self tapping
  - 1 #6-32x1" self tapping
  - 2 #6-32x1" self tapping
  - 1 #6-32x1" self tapping
  - 2 #6-32x1" self tapping

- RECOMMENDATIONS**
- 1 #6-32x1" self tapping
  - 2 #6-32x1" self tapping
  - 1 #6-32x1" self tapping
  - 2 #6-32x1" self tapping
  - 1 #6-32x1" self tapping
  - 2 #6-32x1" self tapping
  - 1 #6-32x1" self tapping
  - 2 #6-32x1" self tapping
  - 1 #6-32x1" self tapping
  - 2 #6-32x1" self tapping

- RECOMMENDATIONS**
- 1 #6-32x1" self tapping
  - 2 #6-32x1" self tapping
  - 1 #6-32x1" self tapping
  - 2 #6-32x1" self tapping
  - 1 #6-32x1" self tapping
  - 2 #6-32x1" self tapping
  - 1 #6-32x1" self tapping
  - 2 #6-32x1" self tapping
  - 1 #6-32x1" self tapping
  - 2 #6-32x1" self tapping

## READER COVER OPTIONS

**CLASSIC Series**

**ProxPoint Plus**

Colors:

- Black
- White
- Grey
- Beige

**ProxPoint Plus**

Colors:

- Black
- White
- Grey
- Wave Blue

**MiniProx**

Colors:

- Black
- White
- Grey
- Beige

**MiniProx**

Colors:

- Black
- White
- Grey
- Wave Blue

**ThinLine II**

Colors:


- Black
- White
- Grey
- Beige

**ThinLine II**

Colors:

- Black
- White
- Grey
- Wave Blue

**DESIGNER Series**



All of the Classic Series and Designer Series reader covers are available as complete readers or as replacement covers.

Contact your HID sales representative for more information.

www.HIDCorp.com/covers

**MINI PROX 5365xxH INCLUDES JUNCTION BOX**

To install the hazardous location model:

- Mount the junction-box cover to the junction box.
- Mount the reader to the cover with the included screws.
- Route conduit and cable to the junction box (National Electric Code Article 720-2).
- Route wiring from junction box through the center hole of the cover.
- See CONNECTING and TESTING on the other side.

**FCC WARNING**

This device complies with part 15 of the FCC rules.

Operation is subject to the following two conditions:

- (1) This device may not cause harmful interference.
- (2) This device must accept any interference that may cause undesired operation.

- For proper regulatory compliance, the drain wire should be disconnected at the power supply end of the cable.
- Changes or modifications not expressly approved by the party responsible for compliance could void the user's authority to operate the equipment.
- The Reader is intended to be powered from a limited power source output of a previously certified power supply.

HID Corporation  
9292 Jeronimo Road  
Irvine, California  
92618-1905 USA

tel:  
+1 (949) 598-1600  
U.S.A. (800) 237-7769  
fax:  
+1 (949) 598-1690  
email:  
tech@hidcorp.com

www.HIDCorp.com

08-0002 Rev. C 11/02

MINIPROX READER 5365, 5368, 5365xxH  
PROXPOINT PLUS READER 6005, 6008  
THINLINE II READER 5395, 5398  
PROX80 READER 5405, 5408

ASSA ABLOY

An ASSA ABLOY Group company