

# SANYO

## 1/4" Color CCD DSP High-resolution Weatherproof Day/Night Camera

- All-in-one design with lens and housing
- High sensitivity — minimum illumination of 0.04 lx (F1.4, B/W mode)
- Built-in Vari-focal Lens
- Dual power operation for 12 V DC or 24 V AC

VCC-XV400 Color  
NTSC

**DIGITAL**  
.....



All-in-One  
**IP66 compliant**  
**Weatherproof**  
**Day and Night**  
**520 TV lines**

**Made in Japan**

The product introduced here is manufactured in Japan utilizing advanced technologies and quality control.

# 1/4" Color CCD DSP High-resolution Weatherproof Day/Night Camera



With optional Sunshade VA-SS400

## **IP66 Compliant, Easily installable anywhere, The all-in-one weatherproof surveillance camera**

The Sanyo VCC-XV400 is a surveillance camera that complies with the IP66 standard and is weatherproof.

All components – camera, lens and housing – are integrated into one compact unit.

It can be installed easily anywhere you like, and it has an arm that is flexible yet strong.

Sanyo has mobilized its technical excellence to realize this highly reliable 24/7 monitoring device featuring a high resolution camera with 520 TV lines that maintains high sensitivity and high image quality day and night.

## All-in-one design lets you install it anywhere you like

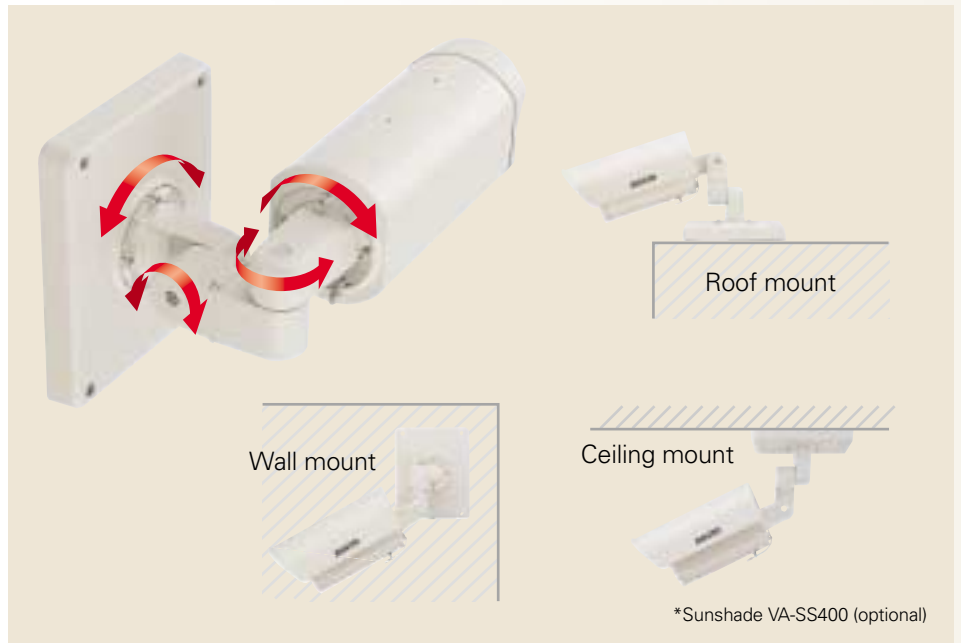
The VCC-XV400 integrates a vari-focal lens, weatherproof housing and mounting hardware in one very compact unit. All you have to do is to connect it to any suitable device to make a complete system. No other accessories are necessary. A sunshade to protect the unit from direct sunshine is optionally available.

## Adjustable arm

Solid design is another major feature of this camera. The arm can be adjusted to any angle, enabling you to install the camera on wall, ceiling, or roof, to provide the viewing area you desire. This arm is flexible yet strong; once the arm angle is fixed, it maintains that angle indefinitely. Also provided are optional brackets for installation in a corner or on a pole.

## IP66 Compliant enclosure

The protective housing meets IP66 Standards for water and dust resistance.



All-in-one

IP66

Day/Night

520 TV lines

Vari-focal lens

## Automatically switches between color during the day and black-and-white at night

Depending on the brightness of the monitored area, this camera automatically switches from vivid color image in the Day mode to high sensitivity black-and-white image in the Night mode.

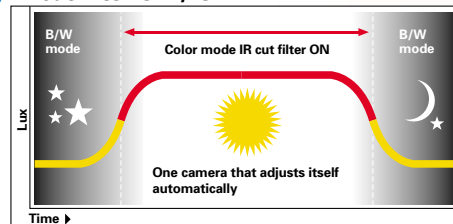
User has the option of changing the light intensity value at which the mode switch takes place.

Moreover, this camera has outstanding sensitivity with minimum object illumination of only 0.04lx (F1.4, B/W mode).

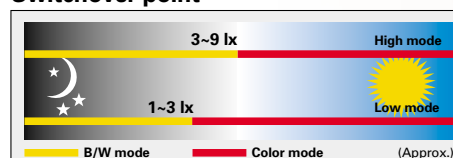
### Manual mode selection

This camera also lets you keep the camera on one or the other modes depending on your requirements, regardless of the illumination on the monitored area or whether it is day or night. This feature enables you to keep the camera in Color mode for a whole day, for instance.

### IR cut filter ON / OFF



### Switchover point



## Sharp image with 520 TV lines

The VCC-XV400 delivers 520 TV lines. The DSP with a proprietary algorithm produces sharp outlines and natural color with no color smudges.

## Built-in Vari-focal zoom lens

Features a high-performance 2x zoom vari-focal (2.8 to 5.8mm) lens with an auto-iris mechanism that adjusts to changes in the luminance. This eliminates the need for changing the lens for different installation sites.

## Two modes of backlight compensation

**Multi-spot photometry (64-section)**  
The backlight condition is measured on each of the 64 sections of the monitoring image for optimal compensation, providing a clear image even for a moving object.

**Center-zone light measuring system**  
The brightness of the central area of the picture frame is measured to adjust the aperture automatically.

## Built-in Electronic shutter

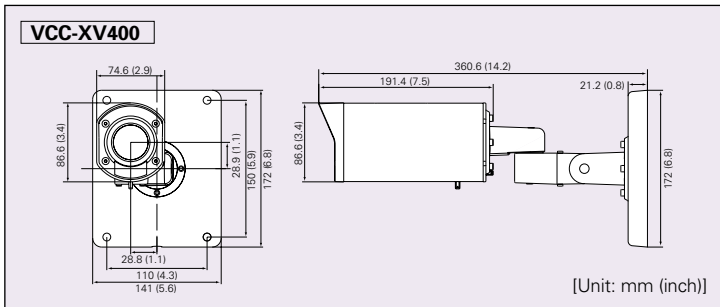
A high-speed electronic shutter that is internally switchable for four modes using a DIP switch allows speed of 1/60, 1/100, 1/1000, and 1/2000 sec.

## AC / DC Power source compatibility

VCC-XV400 operates with either 12V DC or 24V AC. Select an appropriate source, depending on the location.



# VCC-XV400 NTSC

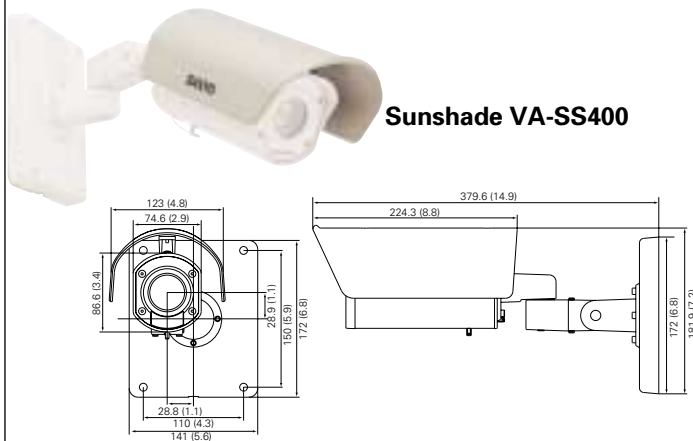


[Unit: mm (inch)]

MODEL	VCC-XV400
<b>Scanning system</b>	NTSC standard TV system (525 TV lines, 30 frames/sec)
<b>Interlace</b>	PLL 2:1interlace
<b>Image device</b>	1/4-inch interline transfer CCD
<b>Picture elements</b>	881(H) x 508(V)
<b>Effective picture elements</b>	768(H) x 494(V)
<b>Synchronizing system</b>	Internal sync. / Line lock — Slide SW
<b>Resolution</b>	Horizontal: 520 TV lines Vertical: 350 TV lines
<b>Video output level</b>	1.0 V (p-p) (75 Ω, composite)
<b>Video S/N ratio</b>	More than 48 dB
<b>Minimum illumination (approx.)</b>	1.2 lx (at F 1.4, color mode) / 0.8 lx (at F 1.4, color mode, Gain: High) / 0.04 lx (at F 1.4, B/W mode)
<b>White-balance</b>	ATW / Manual switching
<b>Gain control</b>	High / Normal — Slide SW
<b>Backlight compensation</b>	Manual ON = Multi-spot photometry (64-section) center-focus photometry / OFF — Slide SW
<b>Electronic shutter</b>	4-Mode: 1/60, 1/100, 1/1000, 1/2000 sec. — Slide SW
<b>Aperture correction</b>	Sharp / Normal — Slide SW
<b>Built-in lens</b>	Vari-focal f = 2.8 to 5.8mm, Auto iris
<b>Operating environment</b>	Temperature: -20°C to 50°C [-4°F to 122°F] (with power source connected) Humidity: less than 90% (no condensation)
<b>Power requirement</b>	12 V DC or 24 V AC, 60 Hz
<b>Power consumption (approx.)</b>	2.9 W
<b>Dimensions (approx.)</b>	141(W) x 172(H) x 360.6(D) mm [5.55(W) x 6.77(H) x 14.20(D) in.]
<b>Weight (approx.)</b>	1.6 kg [56.4 oz.] (without sunshade)
<b>Waterproof standard</b>	IP66
<b>Regulatory</b>	UL, FCC Class B

NOTE: Specifications subject to change without notice

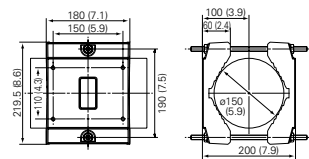
## Optional Accessories (sold separately)



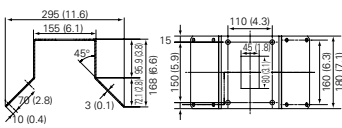
Sunshade VA-SS40

## Outdoor Housing Brackets

Pole Mount Adaptor  
VA-30HA



Corner Mount Adaptor  
VA-30VA



[Unit: mm (inch)]

## Horizontal resolution 520 TV Lines of compatible devices

### Camera

#### High-sensitivity



1/3" Color CCD DSP High-sensitivity/resolution Camera  
**VCC-6594** (24 V AC type)  
**VCC-5984** (24 V AC type)

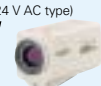
#### Day/Night



1/3" CCD DSP High-resolution Day/Night Camera (Color + B/W)  
**VCC-4594** (24 V AC type)  
**DAY NIGHT**

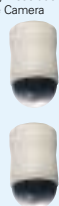
#### Zoom

SSP coaxial camera control compatible  
1/4" Color CCD DSP High-resolution Day/Night Auto Focus Zoom Camera (Color + B/W)  
**VCC-ZM400** (12 V DC / 24 V AC type)  
**DAY NIGHT**



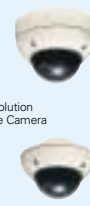
#### Pan Tilt Zoom

SSP coaxial camera control compatible  
1/4" Color CCD DSP High-resolution Day/Night Speed Dome Camera (Color + B/W)  
**VCC-9400** (24 V AC type)  
**DAY NIGHT**



#### Vandal Proof Dome Camera

1/4" Color CCD DSP High-resolution Day/Night Vandal Proof Dome Camera (Color + B/W)  
**VDC-D1184VA** (12 V DC / 24 V AC type)  
**DAY NIGHT**



#### Standard

1/3" Color CCD DSP High-resolution Camera  
**VCC-6674** (12 V DC / 24 V AC type)  
**VCC-6574A** (24 V AC type)



1/4" Color CCD DSP High-resolution Auto Focus Zoom Camera  
**VCC-ZM300** (12 V DC / 24 V AC type)

1/4" Color CCD DSP High-resolution Speed Dome Camera  
**VCC-9300** (24 V AC type)

### Recorder

16ch Digital Video Recorder  
**DSR-3016**



9ch Digital Video Recorder  
**DSR-3009**  
1ch Digital Video Recorder  
**DSR-300**

### Monitor

13" High-resolution Color Video Monitor  
**VMC-8613B**



**\*Caution:** Please consult the instruction manual to ensure safe and proper operation of the product.



DI Solutions Company of SANYO Electric Co., Ltd. obtained Quality Management System ISO9001 and Environmental Management System ISO14001 certifications.

Distributed by:



SANYO Electric Co., Ltd.

www.sanyosecurity.com

© 2004 SANYO Printed in Japan '04.10. AP SMS-078