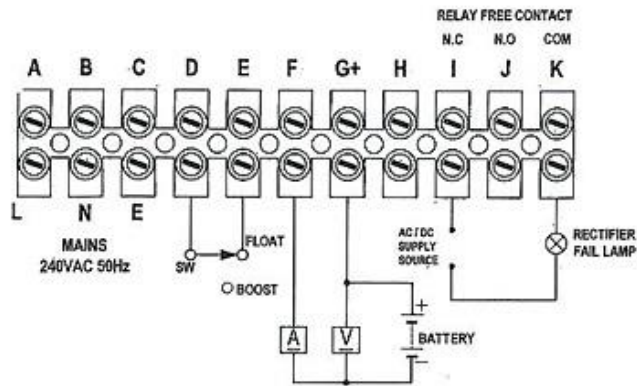


SCR CONTROLLED AUTOMATIC BATTERY CHARGER

ES SERIES Standby Automatic Battery Charger
 SUPER-LITE SABC-ES-2410

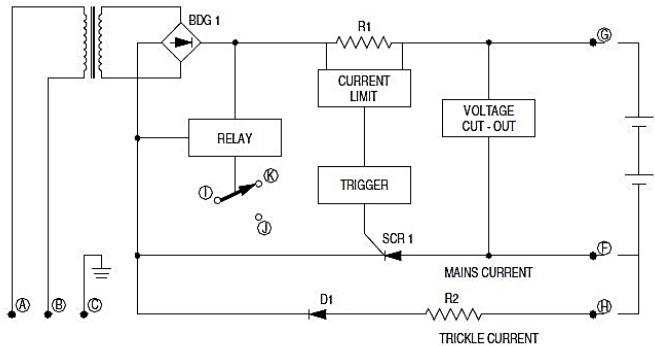
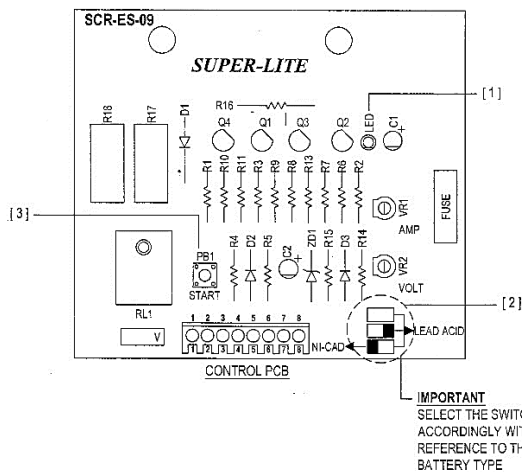
EXTERNAL CONNECTION DIAGRAM (E Series)



IMPORTANT:

WHEN SELECTOR SWITCH FOR FLOAT OR BOOST IS NOT IN USE, TERMINALS D & E MUST BE SHORTED PERMANENTLY.

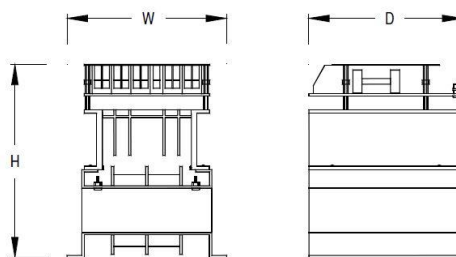
THIS CHARGER REQUIRES EXTERNAL DC VOLTAGE TO TRIGGER THE OUTPUT. PLEASE ENSURE THAT THE BATTERY IS CONNECTED BEFORE TAKING MEASUREMENT.



- [1] CHARGING LED-BLINKS WHEN CURRENT IS LOW
- [2] LEAD ACID / NI-CAD BATTERY SELECTION (SLIDE SWITCH)
- [3] MANUAL START FOR CHARGING FLAT BATTERY

Please make sure all connecting loads are removed before pressing "START" button.

DIMENSION



MODEL	SUPPLY VOLTAGE	OUTPUT VOLTAGE	CHARGING CURRENT (A)	FUSE RATING	DIMENSION (MM) H x W x D	WEIGHT (KG)
SABC-ES2410	240 AC	DC24V	10A	15A	145X210X210	8.6

SUPPLIED & DISTRIBUTED BY

SECURITEX ELECTRONIC SYSTEMS ENGINEERING
 BLOCK 9010 TAMPINES STREET 93. #04-145. TAMPINES INDUSTRIAL PARK A. SINGAPORE 528844.
 T: 67852171. F: 65850107. W: [HTTP://WWW.SECURITEX.COM.SG](http://www.securitex.com.sg). E: SALES@SECURITEX.COM.SG

CAT NO. ES-2018