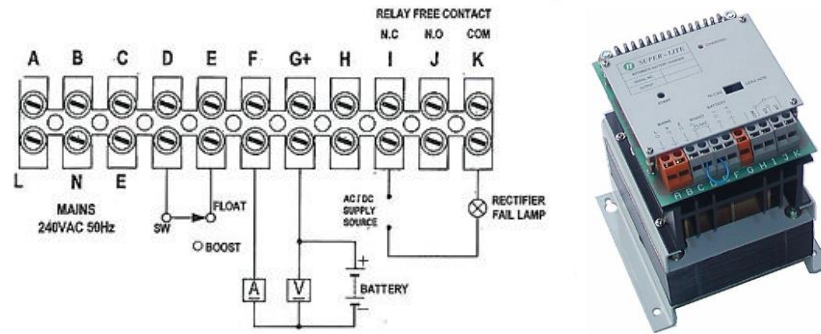


SCR CONTROLLED AUTOMATIC BATTERY CHARGER

CS SERIES Standby Automatic Battery Charger
SUPER-LITE SABC-CS-2410

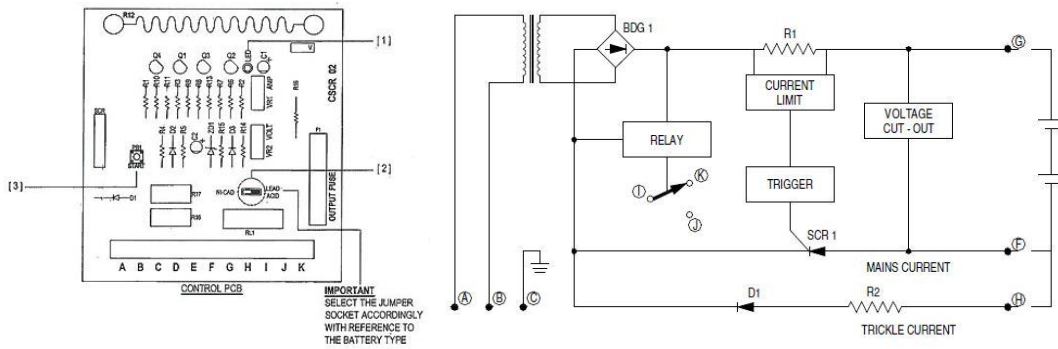
EXTERNAL CONNECTION DIAGRAM



IMPORTANT:

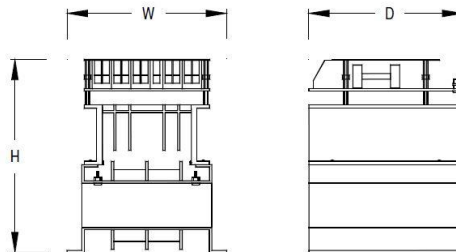
WHEN SELECTOR SWITCH FOR FLOAT OR BOOST IS NOT IN USE, TERMINALS D & E MUST BE SHORTED PERMANENTLY.

THIS CHARGER REQUIRES EXTERNAL DC VOLTAGE TO TRIGGER THE OUTPUT. PLEASE ENSURE THAT THE BATTERY IS CONNECTED BEFORE TAKING MEASUREMENT.



- [1] CHARGING LED-BLINKS WHEN CURRENT IS LOW
- [2] LEAD ACID / NI-CAD BATTERY SELECTION (SLIDE SWITCH)
- [3] MANUAL START FOR CHARGING FLAT BATTERY

DIMENSION



MODEL	SUPPLY VOLTAGE	OUTPUT VOLTAGE	CHARGING CURRENT (A)	FUSE RATING	DIMENSION (MM) H x W x D	WEIGHT (KG)
SABC-CS2410	240 AC	DC24V	10A	15A	215X140X135	8.6

SUPPLIED & DISTRIBUTED BY

SECURITEX ELECTRONIC SYSTEMS ENGINEERING
BLOCK 9010 TAMPINES STREET 93. #04-145. TAMPINES INDUSTRIAL PARK A. SINGAPORE 528844.
T: 67852171. F: 65850107. W: [HTTP://WWW.SECURITEX.COM.SG](http://www.securitex.com.sg). E: SALES@SECURITEX.COM.SG