

EZ220

1/3" Color Weatherproof Camera



EZ220 series camera is a Color CCD camera in a stylish and attractive weatherproof housing. Using the 1/3" Color CCD sensor, the EZ220 series features a high-speed electronic shutter and AGC, which makes the camera ideal for commercial or residential applications.

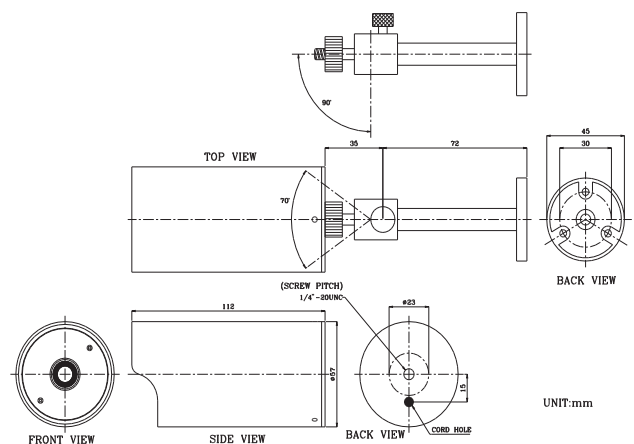
SPECIFICATIONS

Pick up device:	1/3" interline transfer CCD □
Picture element:	512(H)x492(V)(NTSC) 512(H)x582(V)(PAL)
Horizontal resolution:	340 TV lines
Sensitivity:	2.0 lux/F=1.2
S/N ratio:	48dB
Electronic shutter:	up to 1/100,000
Back light comp.:	Yes
Auto gain control:	Yes
Auto white balance:	Yes
Gamma correction:	>0.45
Video output:	1 Vp-p, 75 Ohm
IRIS:	fixed
Power source:	12VDC+/-10%,300mA
Sync. mode:	Internal sync.
Dimension:	57(D)X110(L)mm
Operation temperature:	0°C to 50°C

FEATURES

- Stylish and attractive design for use in commercial or residential applications
- The high sensitivity of 2.0 lux/F=1.2 is achieved by using the advanced 1/3 inch interline transfer CCD
- The high speed electronic shutter and AGC allow the camera to be used in environment with varying light levels
- Easy to install
- System available for NTSC and PAL

DIMENSION



ORDERING INFORMATION

EZ220/N-4:	1/3" Color Weatherproof Camera, NTSC, with board lens f=4.3mm, F=1.8,12VDC
EZ220/P-4:	1/3" Color Weatherproof Camera, PAL, with board lens f=4.3mm, F=1.8,12VDC